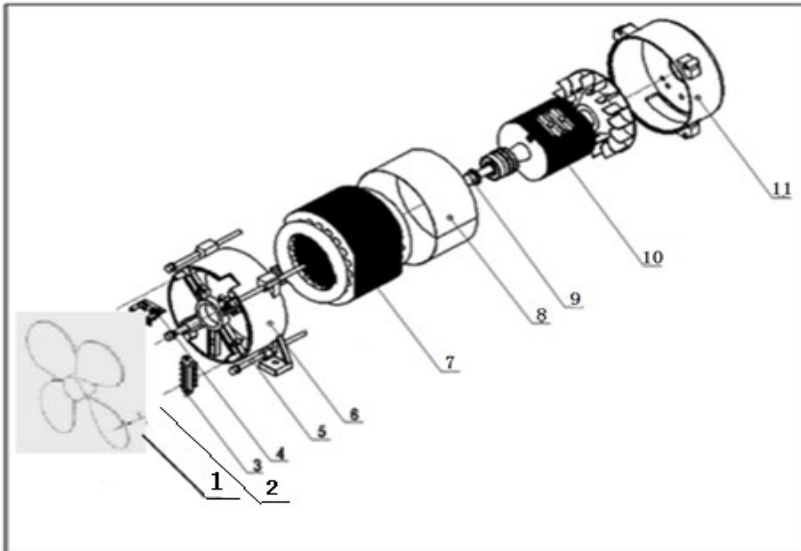
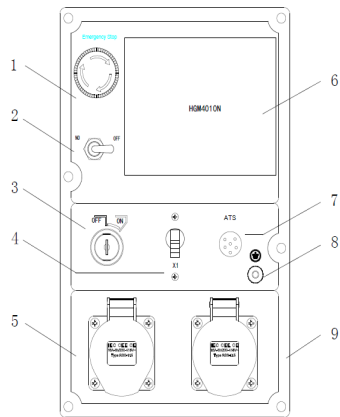


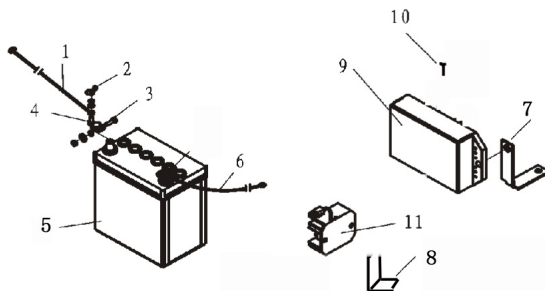
<b>KDF11000Q/3-00000</b>			
1	KDF11000Q-0101	Chassis Welding Part	1
2	KDF11000Q-0102	Left-side lateral plate	1
3	KDF11000Q-0103	Muffer cover	1
4	KDF11000Q-0104	connecting plate	2
5	KDF11000Q-0105	Door	2
6	KDF11000Q-0106	Right-side lateral plate	1
7	KDF11000Q-0107	Air filter cover	1
8	KDF11000Q-0108	Muffer thermal baffle	1
9	KDF11000Q-0109	Top cover part	1
10	KDF11000Q-0110	Battery bracket	1
11	KDF11000Q-0111	Battery fixed layer	1
12	KDF11000Q-0112	Handle	2
13	KDF11000Q-0114	Door	1
14	KDF11000XE (JZ) -0400	Bracket Welding Part	1
15	KDF11000Q-0300	Exhaust Pipe Pipe	1
16	KDF16000Q-04100	Muffer	1
17	KD192F-02015	Exhaust Pipe Gasket	3
18	KDF11000Q-0700	Shock Gasket	2
19	KF6700-07000	Shock Gasket	2
20	36Ah	Battery 36Ah	1
21	30L	Fuel tank	1
22	MS866-5	Lock	2
23	CL226-1A	Hinge	4
24	CL226-3	Hinge	2
25	MS738-1	Lock	1
26	KDF12000Q/3-06013	Directional wheel 4'	2
27	KDF12000Q/3-06012	Universal Wheel 4'	2
28	KF6700-08001	Battery Drawbar	2
29	KDF12000Q/3-05004	Follower Gasket	2
30	KF6700-08004	Battery gasket	1
31	Q673A	Clip(Φ12)	4
32	Q673B	Clip(Φ9)	2
33	JF6700-07004	Inlet fuel pipe	2
34	JF6700-07005	Return fuel pipe	1
35	JF6700-07400	Fuel filter	1



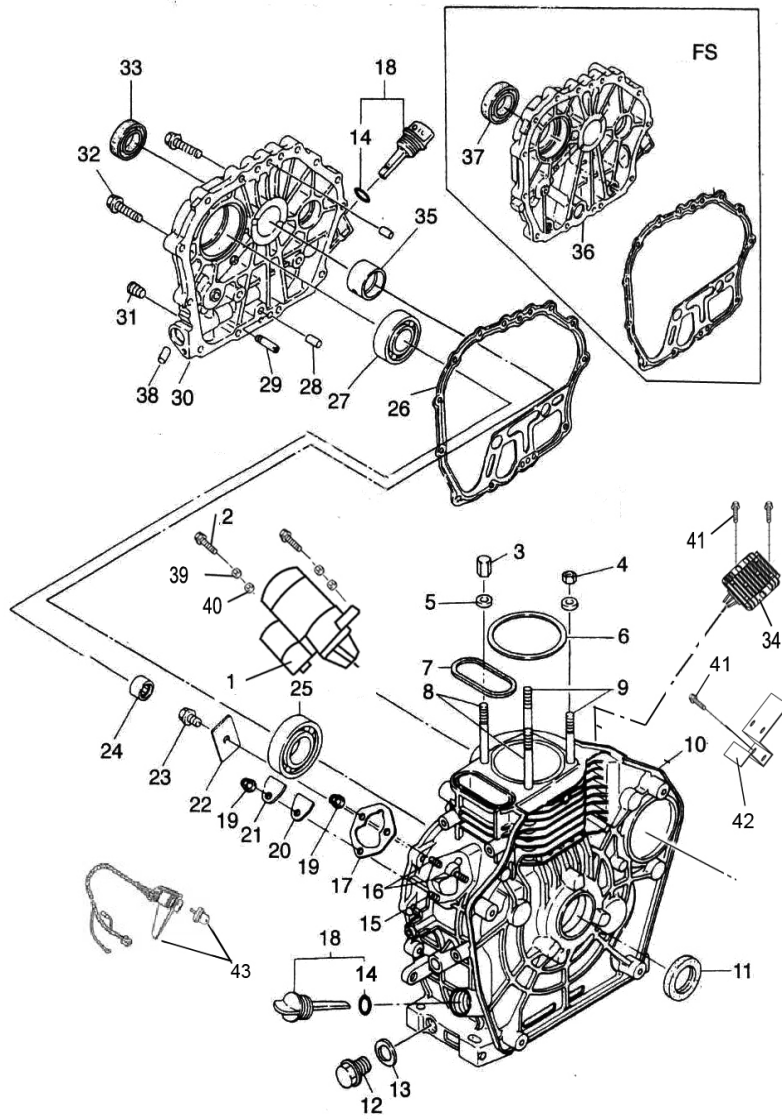
<b>KDF11000Q/3-02000</b>			
	KDF11000Q-02000	Generator Assembly-Single Phase	1
	KDF11000Q-3-02000	Generator Assembly-Three Phase	1
1	KDF11000Q/3-02003	Fan	1
2	KDF11000Q-0502	Fan connection block	1
3	KDF16000Q/3-02500	Line Plate	1
4	KDF16000Q/3-02400	Brush	1
5	GB/T5789-2000	Bolt M10x190	4
6	KDF11000Q/3-02002	Alternator Rare Cover	1
7	KDF11000Q-02300	1-Phase Stator	1
	KDF11000Q-3-02300	3-Phase Stator	1
8	KDF11000Q/3-02005	Alternator Safeguard Plate	1
9	KDF11000Q-0501	Pull-through Shaft Bolt	1
10	KDF11000Q-02200	1-Phase Rotator	1
	KDF11000Q-3-02200	3-Phase Rotator	1
11	KDF11000Q/3-02001	Alternator Front Cover	1



KDF11000Q/3-9000			
1	KDF11000Q-9001	Scram Buttom	1
2	KDF11000Q-9002	Shift swtich	1
3	KDF11000Q-9003	power switch	1
4	KDF11000Q-9004	Circuit breaker	1
5	KDF11000Q-9005	voltage socket	2
6	KDF11000Q-9006	Controller	1
7	KDF11000Q-9007	Socket	1
8	KDF11000Q-9008	Ground hole	1
9	KDF11000Q-9009	control panel assembly	1



Battery And Electric Parts			
1	JF11000-10001	Battery Positive Wiring (Red)	1
2	GB/62-1988	Wing Nut M6	2
3	GB/T5783-2000	Bolt M6X25	2
4	JF11000-10002	Battery Positive Wiring Clip	1
5	12V 36Ah Battery	12V 32AH Battery	1
6	JF11000-10003	Battery Ground Wire (Black)	1
7	JF11000-10004	AVR Bracket	1
8	JF11000-10005	Bracket of Regulator	1
9	JF11000-10006	6700, AVR(Single Phase)	1
10	GB/T5789-2000	Bolt M6X20	6
11	KD11000-12100	Charging Adjustor	1

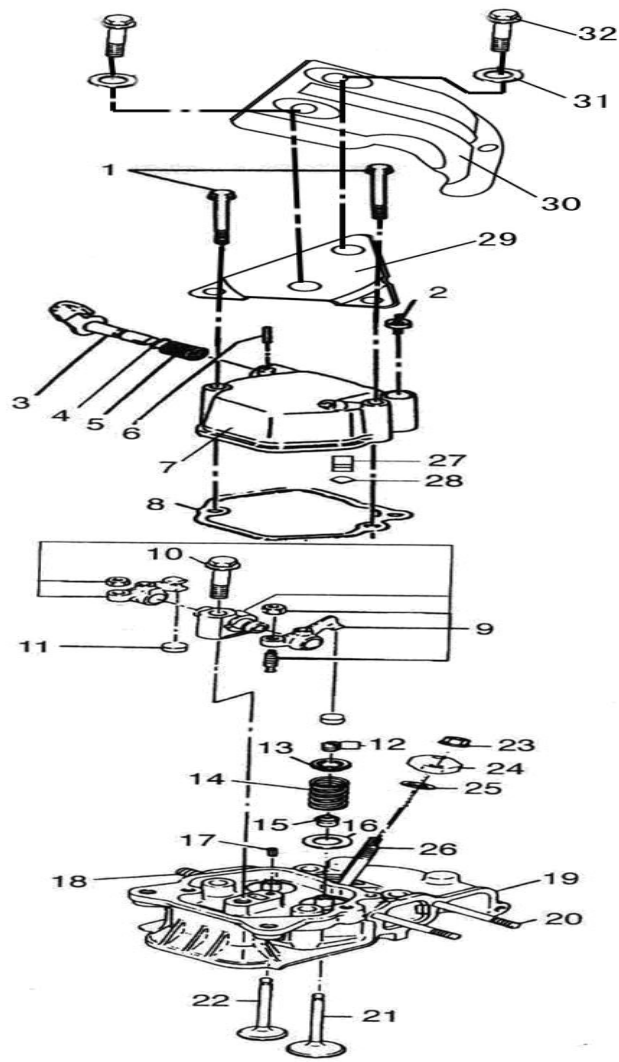


**Fig 1. Exploded view of engine block assembly**

1	KD1100F-17001	start motor
2	ES1801040	bolt M10×35 (GB/T5783-2000)
3	KD1100F-01012	100 Cylinder head nuts (long)
4	KD1100F-01011A	100Cylinder head nuts (short)
5	KD1100F-01013	100 Cylinder head nut gasket
6	KD1100F-01002	100 Cylinder head gasket
7	86/88/92- 1801307	86/88/92 Rectangle ring gasket 4.1×4.25×2.3
8	KD1100F-01010	100 Cylinder head bolts (long)
9	KD1100F-01009	100 Cylinder head bolts (short)
10	KD1100F-01100	100 Cylinder block
11	100-1711704	Rear oil seal 38 x 52x 8
12	17121	Oil drain plug
13	17120	Oil drain plug gasket
14	1711324	O ring for oil dipstick 24×2.4
15	17123	Fuel injection pump fastening bolt (short)
16	17122	Fuel injection pump fastening bolt (long)
17	1719605	Fuel injector adjusting gasket 0.1
	1719605	Fuel injector adjusting gasket 0.2
	1719605	Fuel injector adjusting gasket 0.3
	1719605	Fuel injector adjusting gasket 0.4
	1719605	Fuel injector adjusting gasket 0.5
18	178-1702002	78-Oil dipstick
19	1710103	Heterotypic nut M6(GB/T 6170)
20	17159	Sealing plate gasket
21	17158	Sealing plate
22	17195	Thrust piece
23	1710636	bolts M8×16 (GB5783-86)

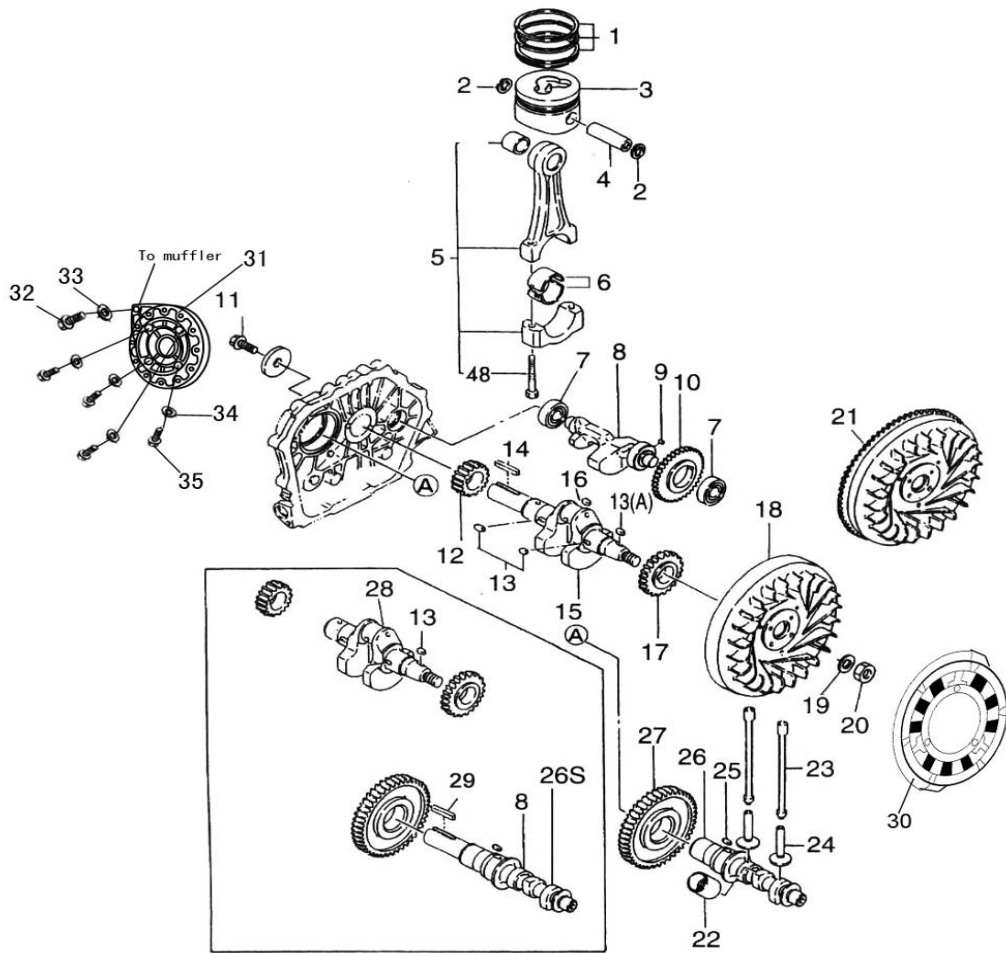
**Fig 1. Exploded view of engine block assembly**

24	1710011	Needle bearing 1522
25	100-1710008	100 Ball bearing 310
26	100-1704603	100-Crankcase cover gasket
27	100-1710004	100-Bearing 207 (GB/T276-94)
28	1711111	Retaining pin 8x12 (GB119-2001)
29	78/86-17080	78/86-oil guide
30	KD1100F-01001	100-Crankcase cover
31	17133	Inner Hexagon Plug G1/8"
32	100-1710083	Hexagon flange bolts M10 x 38 JB/T 4110-1985
33	100-1711705	Front oil seal 35 x 50 x 10
34	ES1801045	Regulator
35	100-1701803	100-Main Bushing
36	100FS-1801336	100-Front side crankcase cover
37	100FS-1801337	100-Front side oil seal
38	1711602	Aluminum Plug $\phi 8 \times 8$
39	ES1801041	flat washer 10 (GB/T97.1-1985)
40	ES1801042	spring washer 10 (GB/T93-87)
41	1710712	Heterotypic bolt M6 $\times$ 12 (GB/T16674-1996)
42	ES1801043	Support of regulator
43	1801044	Start switch assembly



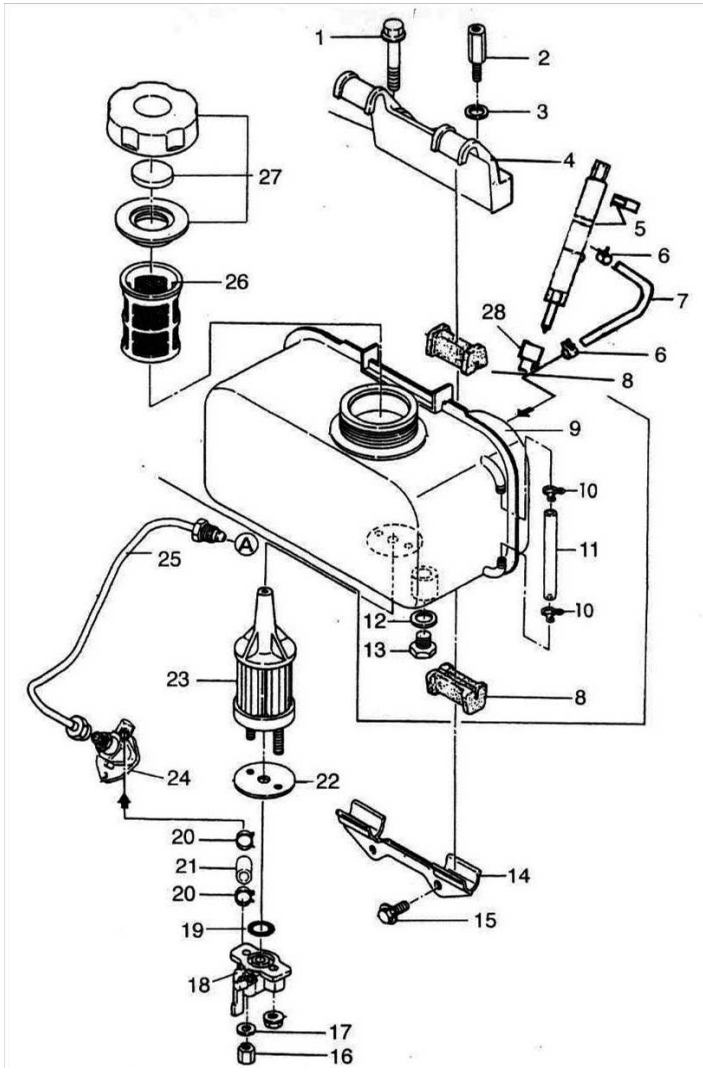
**Fig 2. Exploded view of cylinder head**

1	100-1710730	M6 x 70 Flanged Bolt (GB5789-86)
	PT1802001	Bolt for cylinder head ( power tiller type only )
2	17142	Oiling screw plug
3	17139	Decompression shaft
4	1711310	O ring 10 x 1.9 (GB1235-76)
5	17140	Decompression shaft spring
6	1711103	Retaining pin 3 x 16 (GB119-2000)
7	100-1706603	100-Cylinder head cover
8	100-1717001	100-Cylinder head cover gasket
9	KD1100-02300	100-Rocker arm
10	1100-1716901	100 Rocker arm shaft fastening bolt
11	1100-1705203	100 Adjusting valve spacer
12	KD1100F-02004	100 Valve clip
13	KD1100F-02005	100Valve spring seat
14	86-1702903	86Valve spring
15	292-1702100	292 Valve guide oil seal
16	KD1100F-02006	100 Valve spring washer
17	1711104	Pin 4 x 8 (GB119-2000)
18	1710921	Double ended stud AM10 x 36 (GB899-88)
19	KD1100F-02201	100 Cylinder Head
20	100-1710956	100 Double ended bolt AM6 x 45 (GB900-88)
21	KD1100F-02001	100 Intake valve
22	KD1100F-02002	100 Exhaust valve
23	1710103	M6 (GB6177-86) Nut
24	1717302	Fuel injector pressure plate (for bosch injector)
25	1724502	Fuel injector adjusting gasket
26	100-1802326	100-fastened bolt of fuel injector AM6×55
27	17141	Breather assembly
28	1711312	O ring 12 x 1.9
29	PT1802029	Tricom cover (power tiller type only)
30	PT1802030	Decorative cover (power tiller type only)
31	PT1802031	Large flat washer (power tiller type only)
32	PT1802032	Bolt of decorative cover (power tiller type only)



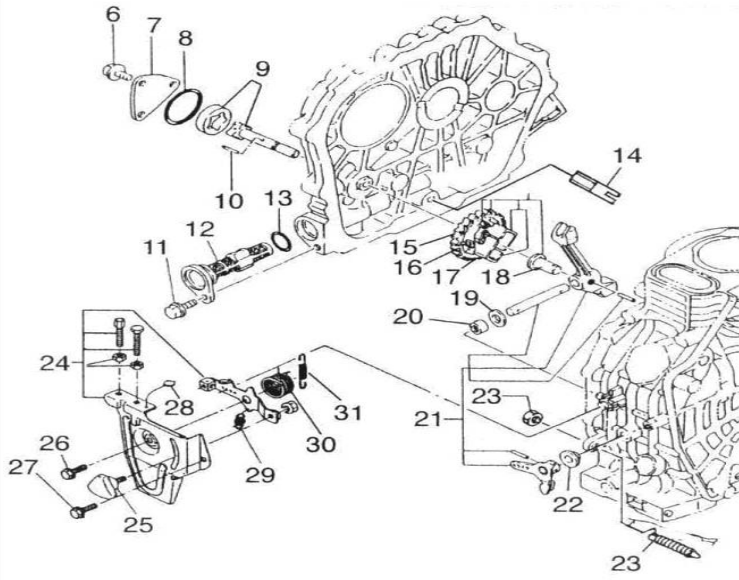
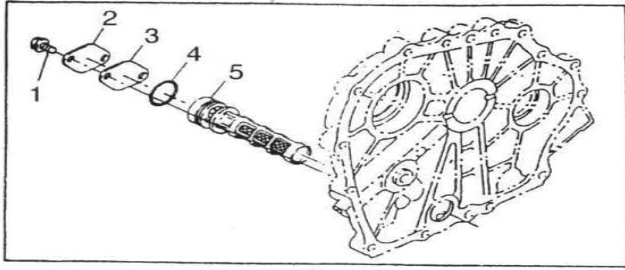
**Fig 3. Exploded view of Piston / Crank Assembly**

1	100-1701404	Piston Ring group
2	100-1701603	100 Retainer clip of Piston pin $\phi 26$
3	KD1100F-04001	100 Piston
4	KD1100F-04005	100Piston pin
5	KD1100F-04100	100Connecting rod body
6	KD1100F-04002	100Connecting rod bush
7	100-1710000	100-Bearing 304 (GB/T276-94)
8	100-1706503	100 Balancing Shaft
9	1710507	Key 5 x 7 (GB1096-2003)
10	100-1707703	100 Balancing Shaft Timing Gear
11	1803011	Bolt (for F shaft accompany with diesel engine)
12	100-1700803	Crankshaft timing gear
13	1710512	Key 5 x 12 (GB1096-2003)
13A	1710514	Key 5 x 14 (GB1096-2003)
14	100-1710563	100 Key 6 x 63 (GB1096-2003)
15	100-1700708	100 Crankshaft
16	1711601	steel ball $\phi 6.25$
17	100-1707803	100 Balancing Shaft Driving Gear
18	100-1704409	100Flywheel
19	292-1715601	292 Flywheel nut gasket
20	292-1715501	292 flywheel Nut
21	92-1704504	92 Flywheel gear ring (for electric starter)
22	100-1803322	100 Sleeve of fuel pump rod
23	100-1705103	100Push rod
24	100-171501	100 Tappet
25	78-1710504	Key 4 x 12 (GB1096-2003)
26	100-1701000	100Camshaft
27	100-1701103	100 Camshaft timing gear



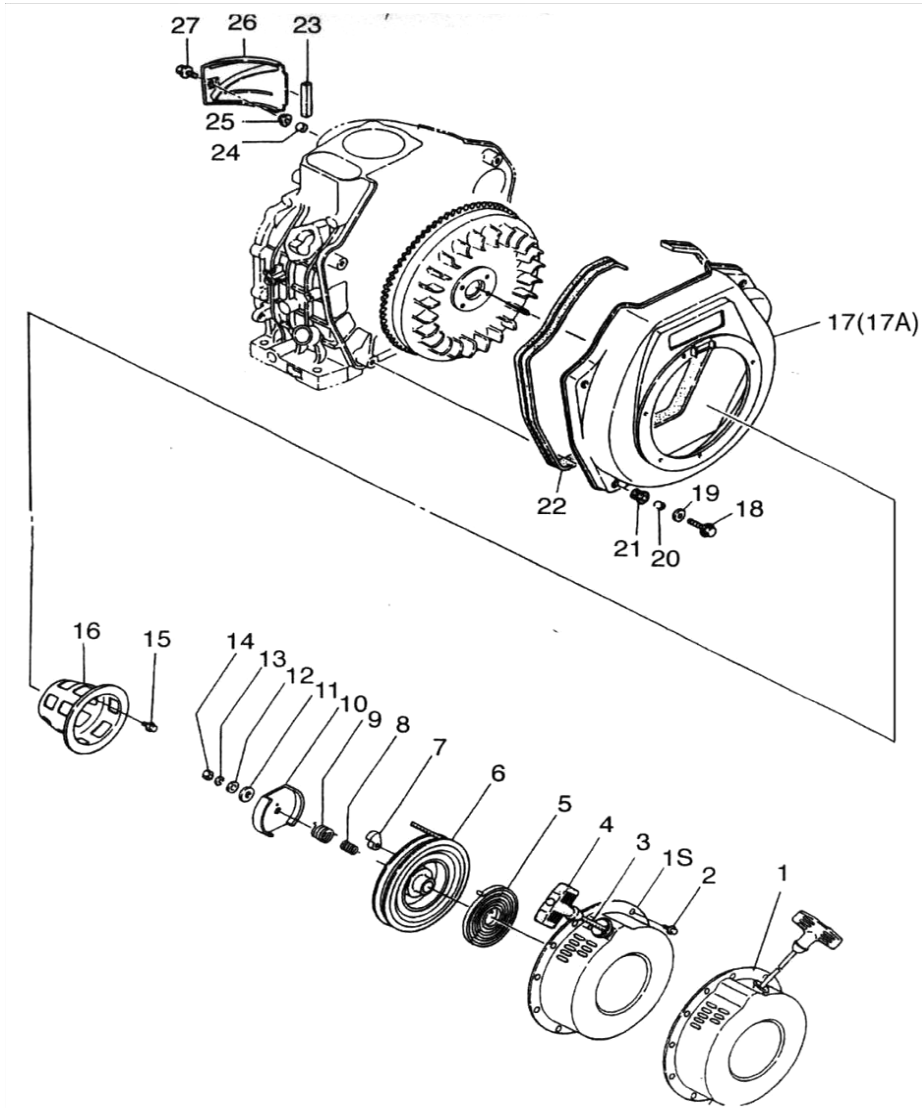
**Fig 4. Exploded view of fuel tank parts**

1	1710745	Bolt M8 x 45 (GB5787-86)
2	17185	Upper fuel tank bracket fastening bolt
3	1710208	Flat washer 8 (GB97.1-85)
4	92-1705803	92 Upper fuel tank bracket
5	100-1804305	100 Injector(china type)
	B1804005	Bosch injector
6	17212	Fuel leak-off pipe connecting $\phi$ 9
7	92-1804306	92 Fuel leak-off Pipe
8	17184	Shock absorbing pad of fuel tank
9	92-1704203	92 Fuel Tank
10	1804010	Fuel Pipe connecting $\phi$ 7
11	92-1804311	92 Fuel Pipe
12	17151	Fuel drain gasket $\phi$ 6 (GB6177-86)
13	17152	Fuel drain plug(in the fuel tank)
14	17183	Lower fuel tank bracket
15	1710714	Bolt M6 x 14 (GB5787-96)
16	1710103	Nut M6 (GB6177-96)
17	1710206	Flat washer $\phi$ 6 (GB97.1-85)
18	17150	Fuel tank cock assembly
19	17154	Gasket of fuel tank cock
20	1719403	Fuel pipe clamp $\phi$ 13
21	92-1804321	92 Fuel oil pipe
22	17148	Fuel filter gasket
23	92-1704303	92Fuel filter element
24	100-1704700	100 Fuel injector pump
	100-1704700	100 Fuel injector pump electric valve
25	100-1705603	100 High pressure fuel pipe(bosch injector)
26	17146	Fuel oil filter
27	17153	Fuel tank cap assembly
28	1705302	70/78-Fuel injector cap(china type only)



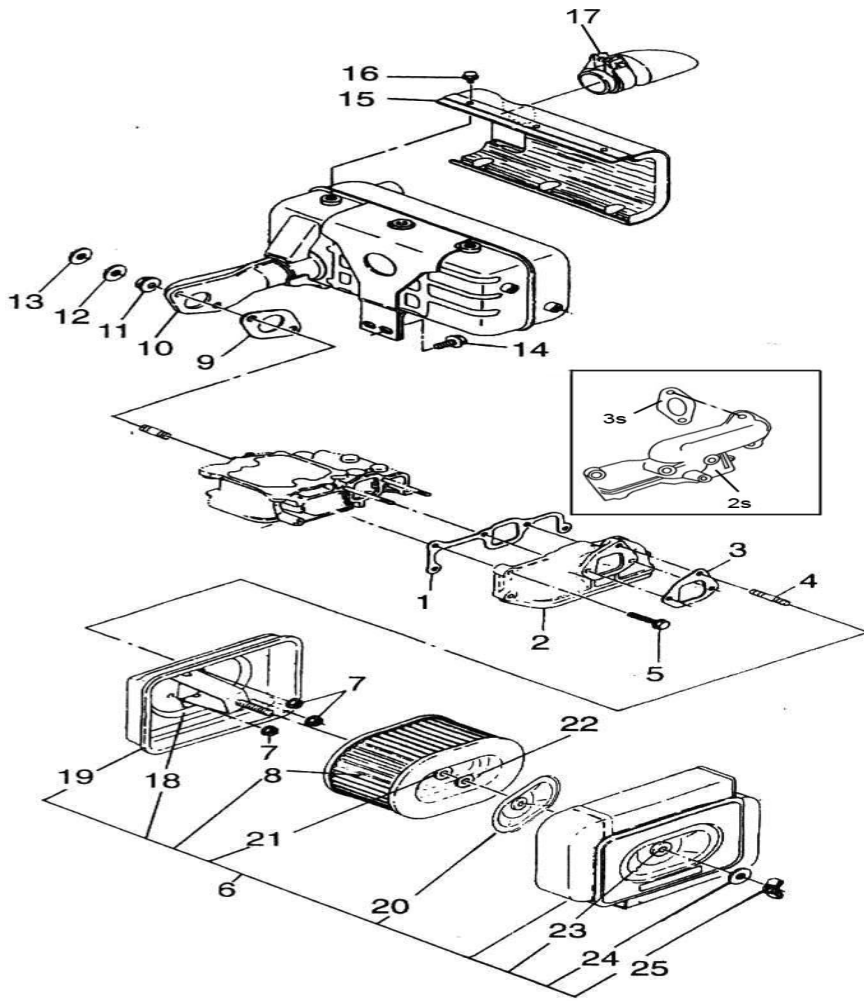
**Fig 5 Lubrication and speed control system**

6	1710712	Heterotypic Bolt M6 x 12 (GB16674-96)
7	17022	Oil pump cover
8	1711334	O ring 34.5 x 1.8 (GB3452.1-82)
9	100-1713501	100 Oil Pump
10	1711103	pin 3 x 16 (GB119-2000)
11	1710714	heterotypic Bolt M6 x 14 (GB5789-86)
12	KD1100F-09001	Oil filter cleaning element
13	1711316	Seal ring 25*2.4
14	17080	Oil Guide
15	100-1702302	Oil pump driving gear
16	17132	Fly block pin
17	17131	Fly block
18	KD1100F-11001	Governor fork tappet
19	17125	Lever shaft gasket
20	1710009	Bearing 7941/8 (GB290-64)
21	92-1700503	92 Fork lever assembly
22	17124	Washer
23	17126	Fuel controller
	281034	Fuel controller
24	17164	Handle bracket
25	17167	Speed-control lever
26	1710714	Heterotypic Bolt M6 x 14 (GB5787-86)
27	1710714	Heterotypic Bolt M6 x 14 (GB5787-86)
28		including in the handel assembly,could not supply separately
29	17162	Return spring II
30	17161	Return spring I
31	KD1100F-11002	100Speed-control spring



**Fig 6. Exploded view of cooling and recoil starting system.**

	ASSY016	100 recoil start assembly
1	KD1100F-14001	100 Air inlet cover plate
	92-1703404	92 Recoil case assembly
2	1710708	Bolt M6 x 8 (GB5789-1996)
3	92-1703503	92 Recoil starter rope
4	92-1703802	92 Recoil starter handle
5	92-1703303	92 Flat spiracle spring
6	92-1703203	92 Recoil reel
7	92-1704005	92 Starting claw
8	86-1721801	86 Helical spring
9	86-1721901	86 Torsional spring
10	92-1704006	92 Starting claw plate
11	92-1703902	92 Friction plate
12	88-1703803	Friction plate gasket
13	1710306	Spring washer
14	1710106	Nut M6 (GB6170-86)
15	1710712	Bolt M6 x 12 (GB6170-86)
16	86-1705703	86 Starter
17	100-1704105	100 Wind leading case welded
18	170622	Bolt M6 x 22 (GB5783-2000)
19	1710207	washer M6 (GB90-85)
20	17145	Collar of Wind leading case welded
21	17143	Shock absorber
22	100-1806322	100 Shock pads
23	100-17127	100 Shock isolation piece of wind leading plate
24	100-17129	100 Collar of Wind leading plate
25	100-17128	100 Pad
26	100-1700403	100 Wind leading plate
27	100-1710718	100 Bolt M6 x 18 (shaped piece)



**Fig 6. Please refer to Fig 7 for a complete illustration.**

1	100-1703103	100 Intake pipe gasket
2	100-1703003	100 Intake pipe
3	100-1717501	100 Air cleaner gasket
4	100-1807304	100-fasten bolt for air cleaner
5	86-1807305	86-Heterotypic bolt M6 x 25 (GB5789-96)
6	100-1717401	100 Air filter assembly
7	1710103	Heterotypic Nut M6 (GB6177-86)
8	100-1717601	100 Air filter element
9	100-1718601	100 Muffler gasket
10	100-1705403	100 Muffler assembly
11	92-1710208	Flat washerφ10
12	92-1710308	Spring washerφ10
13	92-1710108	Nut M10 (GB6170-86)
14	1804014	100-heterotypic Bolt M8x16 (GB5789-86)
15	92-1705503	92 Muffler screen cover
16	1710708	Bolt M6 x 8 (GB5789-86)
17	86-1705406	86 Muffler tail pipe
18	100-1718002	100 Sealing ring II of shock proof
19	100-1718003	100 Bottom case assembly of Air Cleaner
20	100-1718001	100 Sealing ring I of shock proof
21	100-1718101	100 Air filter shock absorber
22	100-1710114	100 -Heterotypic nut M8(GB/T6170)
23		Air filter box part
24	17177	92-Washer
25	92-1710109	butterfly nut M8