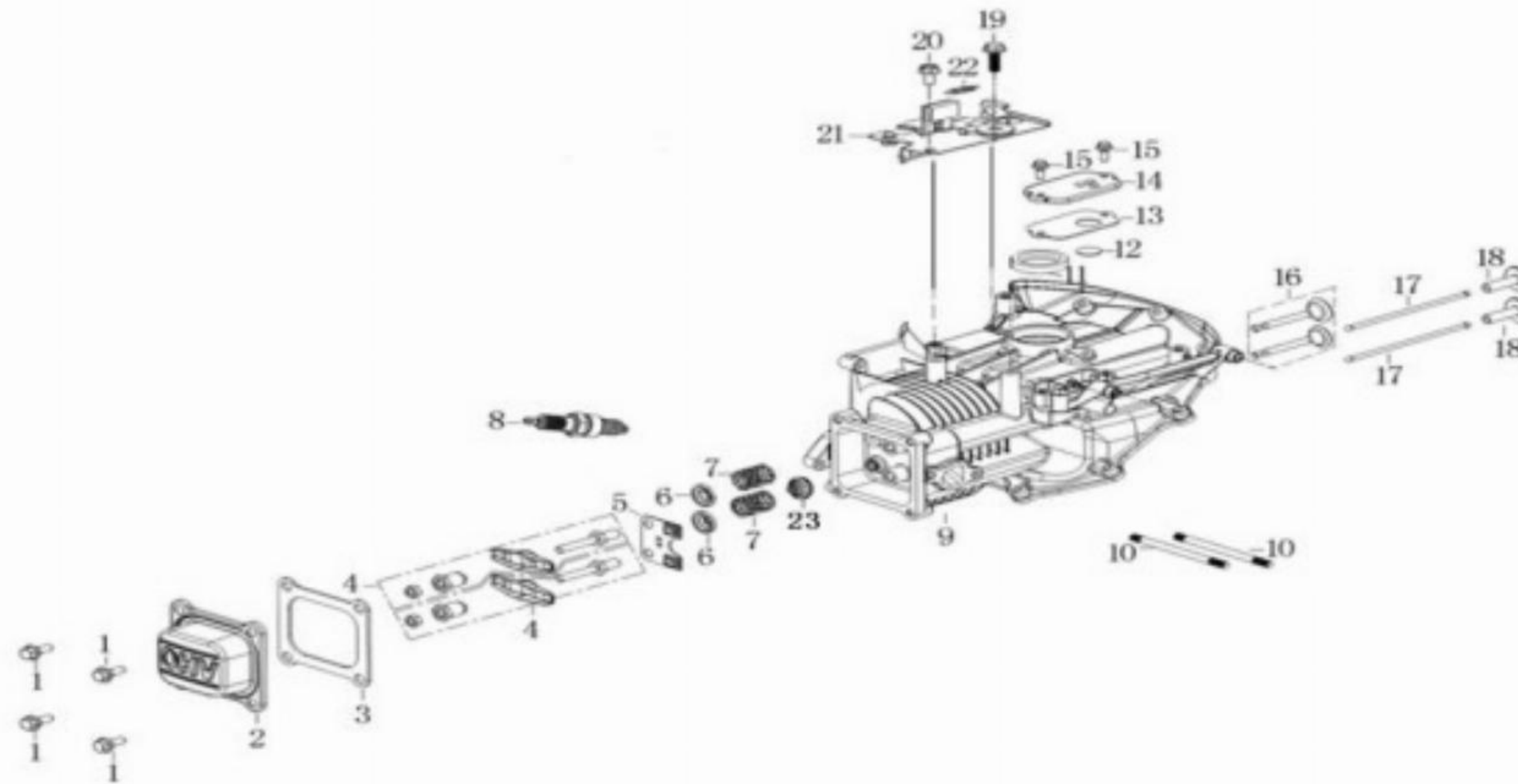


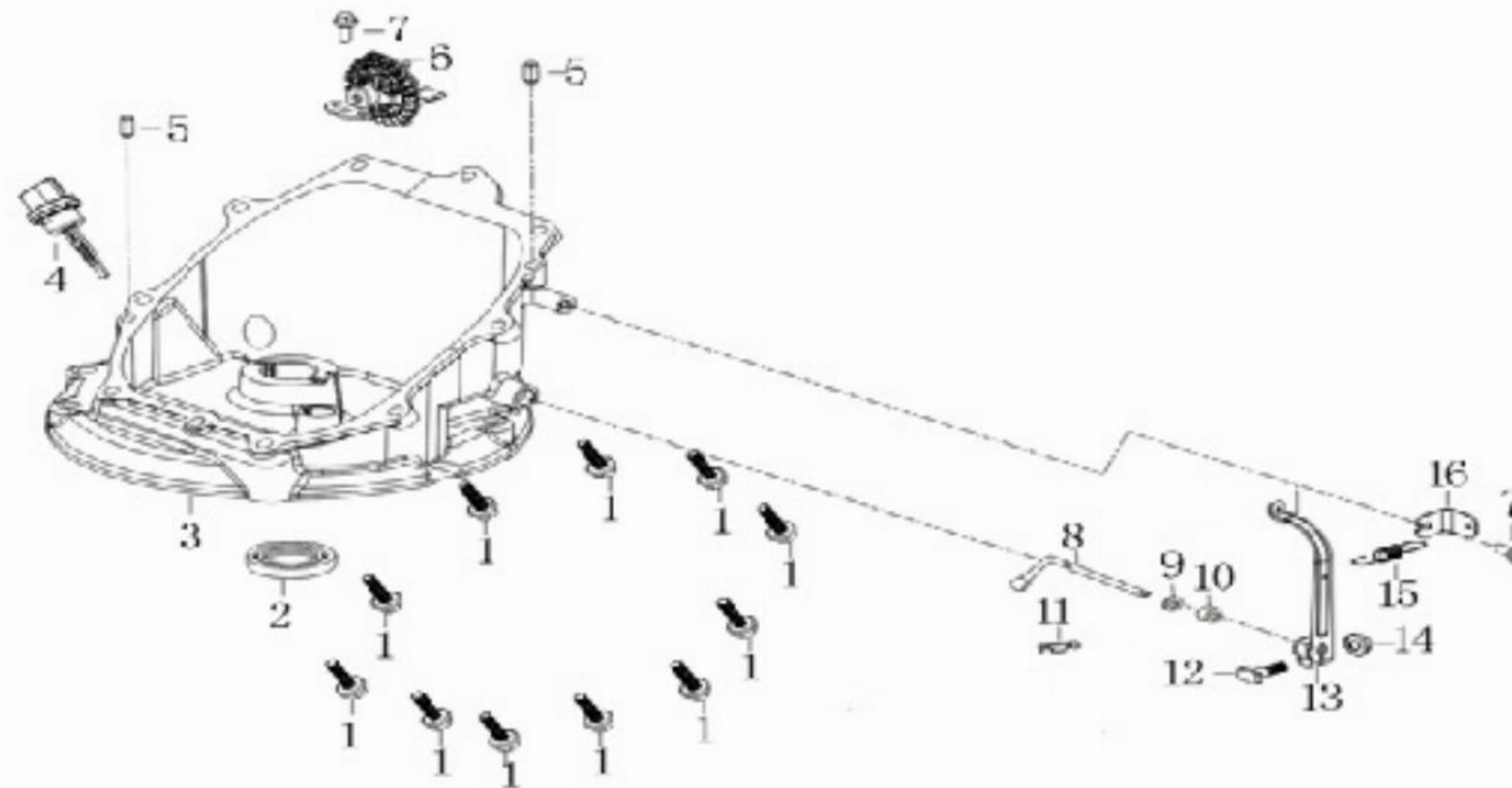
CRANK CASE

No.	Part No.	Description	Reqd. QTY
1	380020070-0001	Hexagon bolt with flange	4
2	120230118-0001	Cylinder head cover	1
3	120250045-0001	Gasket for cylinder head cover	1
4	140450060-0001	Valve rocker combination	2
5	140710013-0002	Plate, push rod guide	1
6	140380020-0001	Retainer, valve spring	2
7	140340039-0001	Inner spring of valve	2
8	270960014-0001	Spark plug	1
9	110810533-0001	Crankcase body	1
10	380180124-0001	Stud	2
11	380650335-0001	Oil seal	1
12	110860005-0001	Breath fin	1
13	110850019-0002	PACKING, BREATHER CHAMBER	1
14	110840027-0001	CAP,BREATHER CHAMBER	1



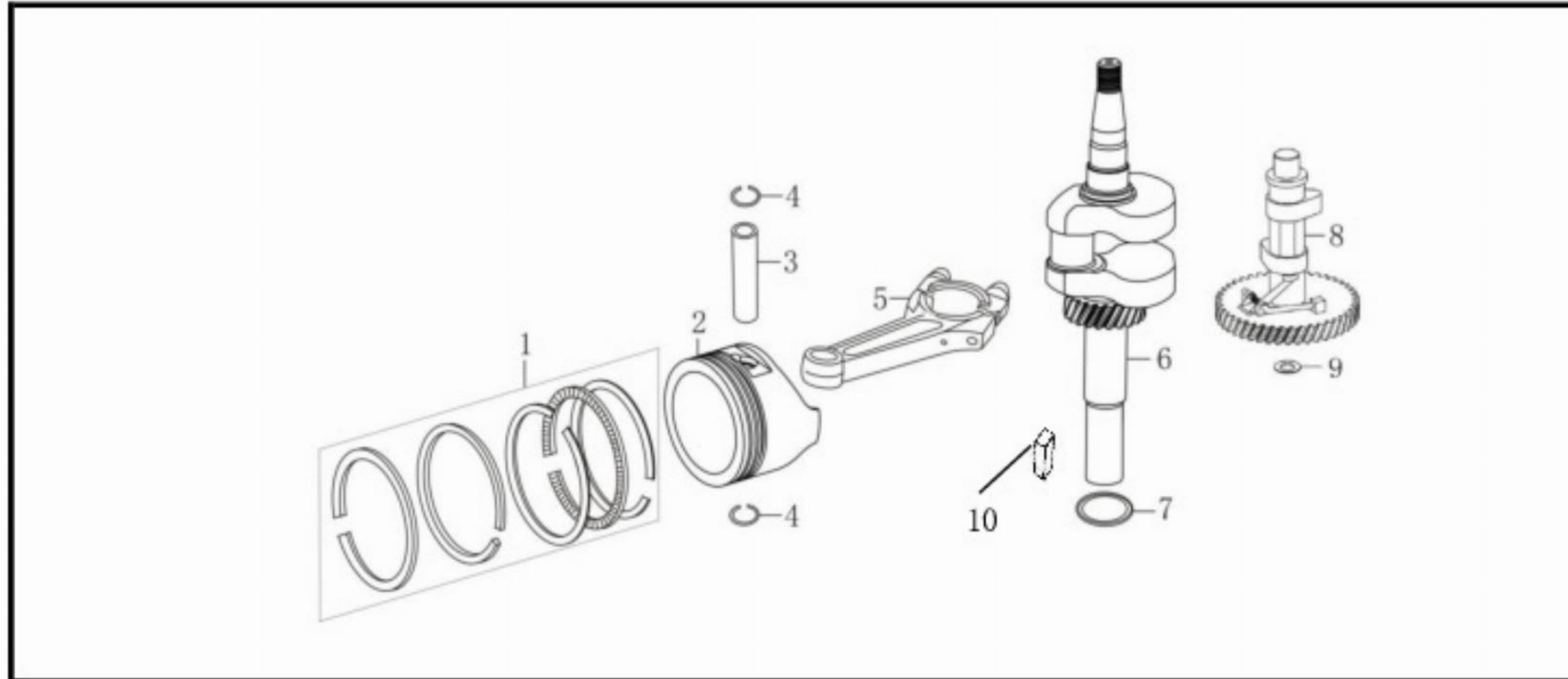
CRANK CASE

No.	Part No.	Description	Reqd. QTY
15	380140167-0002	Hexagon bolt with flange	2
16	500550034-0001	Valve Kit	1
17	140670029-0001	Push rod	2
18	140690002-0001	Lifter, Valve	2
19	380140077-0005	Hexagon bolt with flange	1
20	380140209-0001	Hexagon bolt with flange	1
21	293030027-0001	Engine brake	1
22	381140532-0001	Tension spring	1
23	140400016-0001	Valve oil seal	1

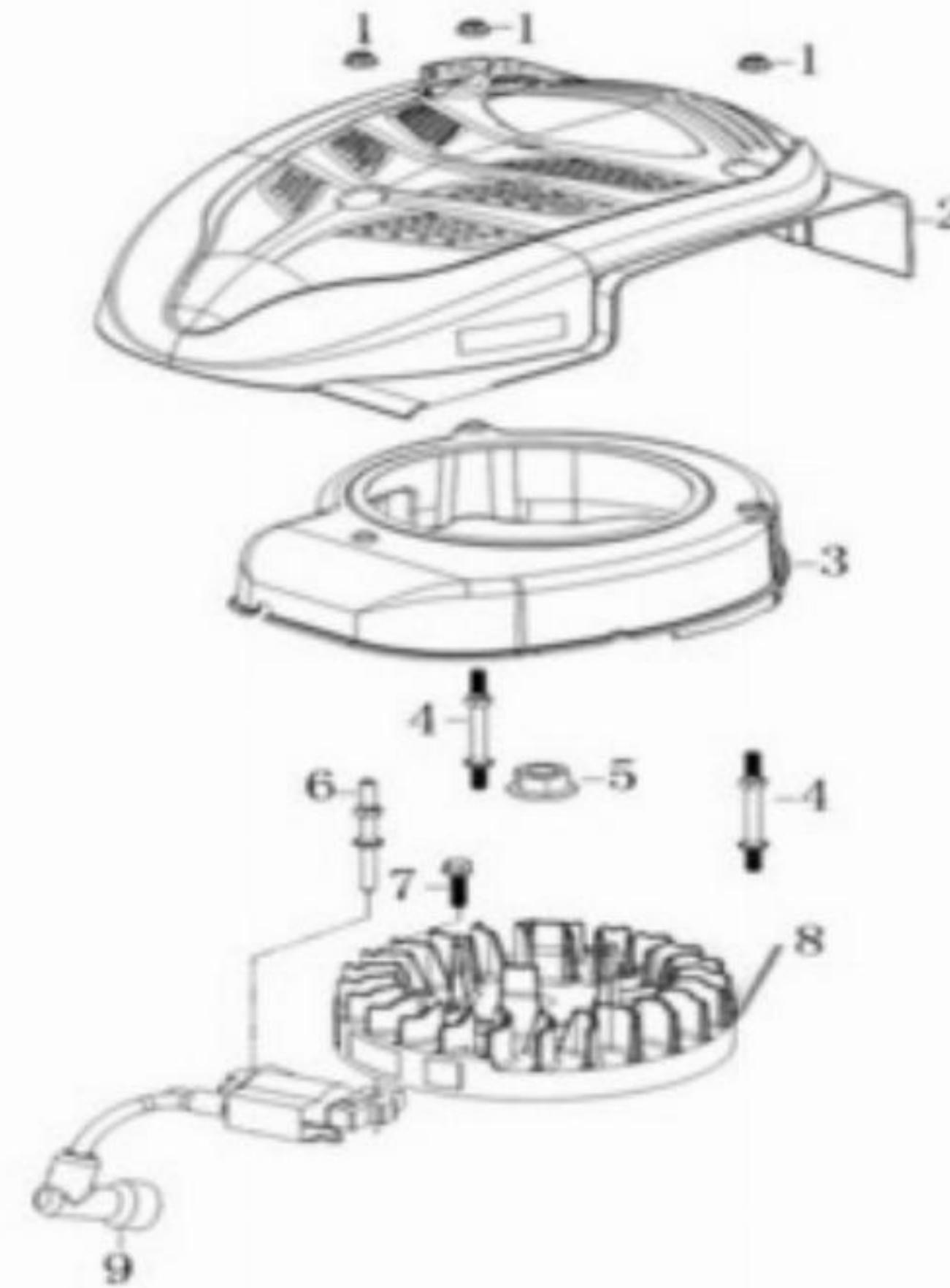


CRANK CASE COVER

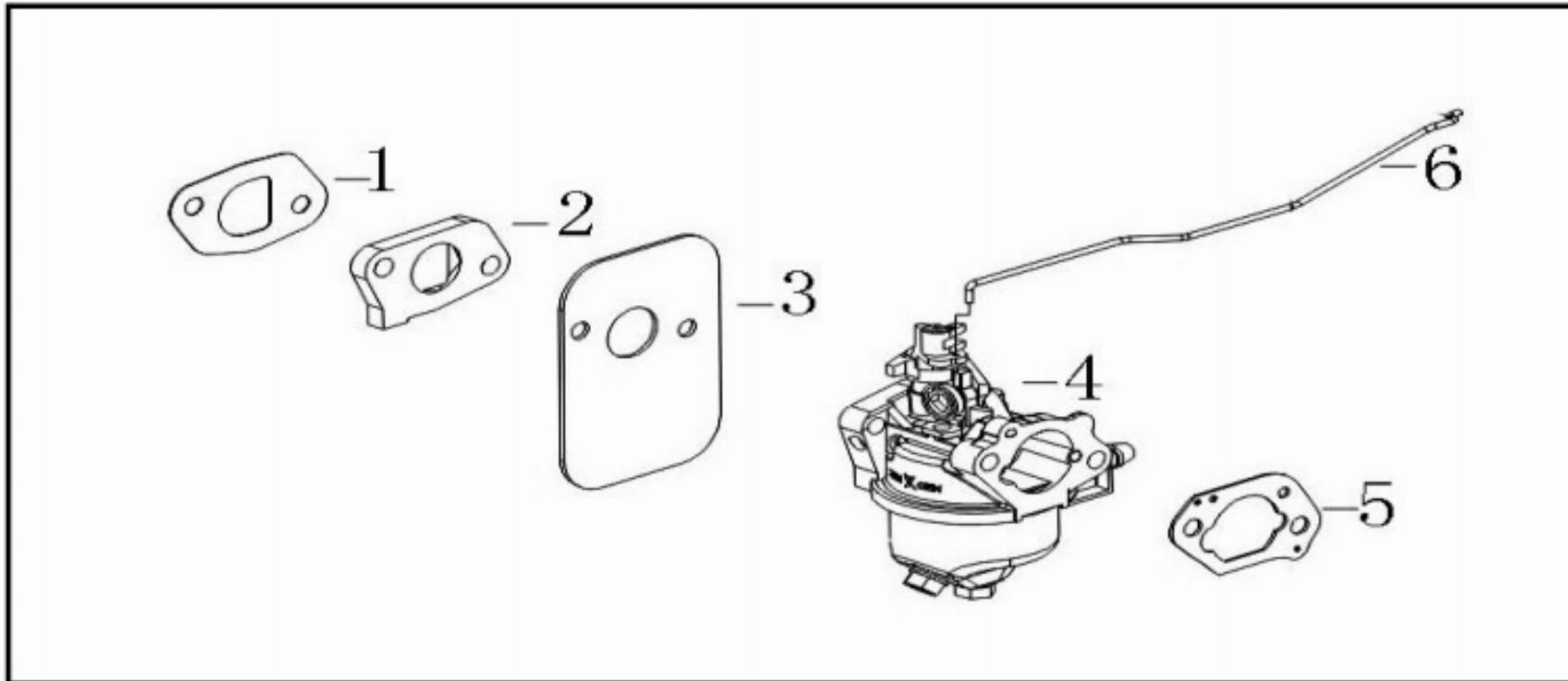
No.	Part No.	Description	Reqd. QTY
1	380140103-0004	Hexagon bolt with flange	10
2	380650347-0001	Oil seal	1
3	110820117-0001	Crankcase cover	1
4	110690067-0001	Oil rule combination	1
5	380600241-0001	ocation pin	2
6	171750024-0001	Components of governor gear	1
7	380140167-0002	Hexagon bolt with flange	2
8	171630010-0002	Speed regulating arm	1
9	380450527-0001	Flat washer	1
10	380650338-0001	Oil seal	1
11	381350004-0001	Pin clip	1
12	380250002-0001	Square head set screw with flat point	1
13	171620033-0003	Speed regulating bracket	1
14	380370048-0001	Hexagon nut with flange	1
15	171600064-0001	Governing spring	1
16	171680099-0001	Throttle handle combination	1

**CRANKSHAFT/PISTON**

No.	Part No.	Description	Reqd. QTY
1	130070257-0001	Piston ring combination	1
2	130030301-0001	Piston	1
3	130060030-0001	Piston pin	1
4	380560055-0001	Steel cable baffle ring	2
5	130150099-0001	Connecting rod	1
6	130290413-0001	crankshaft	1
7	380450518-0001	Flat washer	1
8	140020117-0001	Camshaft assy	1
9	380450534-0001	Flat washer	1
10	380620030-0001	Key	1

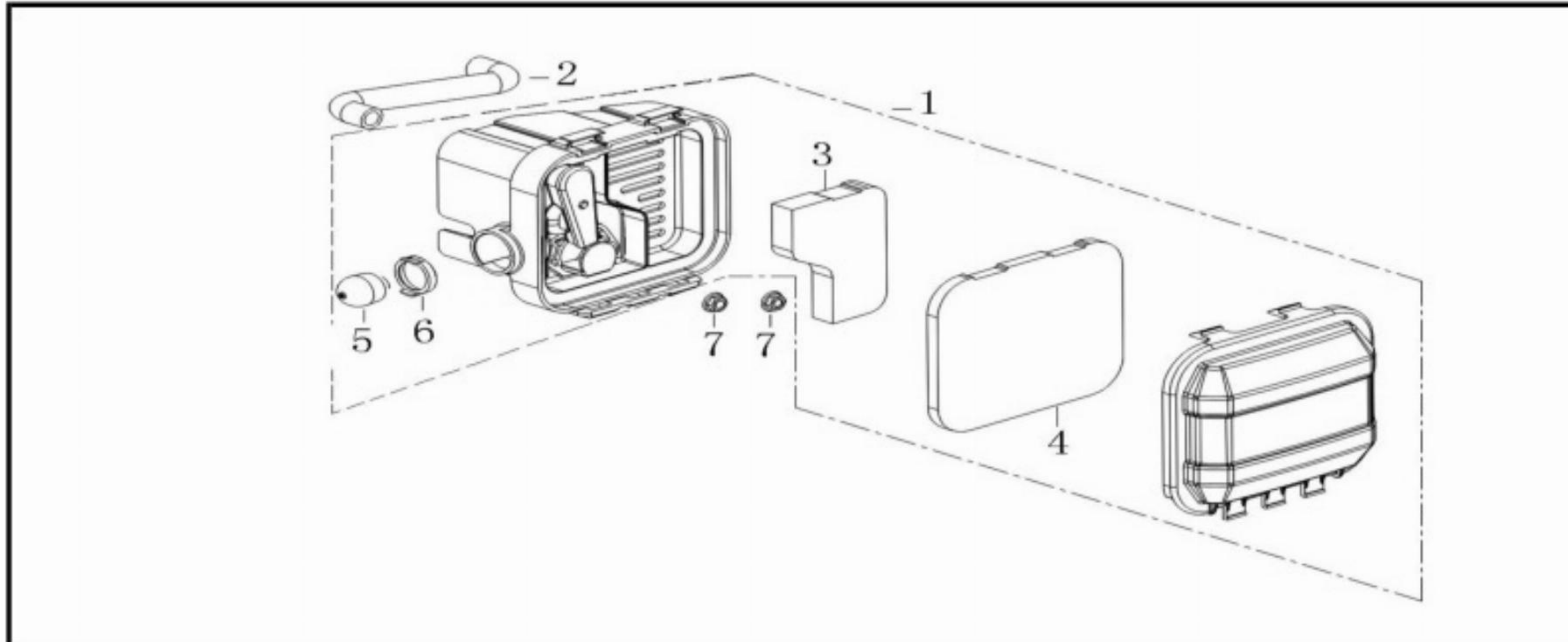
**STARTER**

No.	Part No.	Description	Reqd. QTY
1	380370066-0001	Hexagon nut with flange	3
2	193490246-0001	Manual starting assembly	1
3	160210109-0003	Fan cover comp.	1
4	380850010-0001	Stay stud	2
5	380370051-0001	Hexagon nut with flange	1
6	380850016-0001	Stay stud	1
7	380140103-0004	Hexagon bolt with flange	1
8	270020604-0001	FLYWHEEL COMP	1
9	270920312-0001	COIL ASSY.,IGNNTION	1



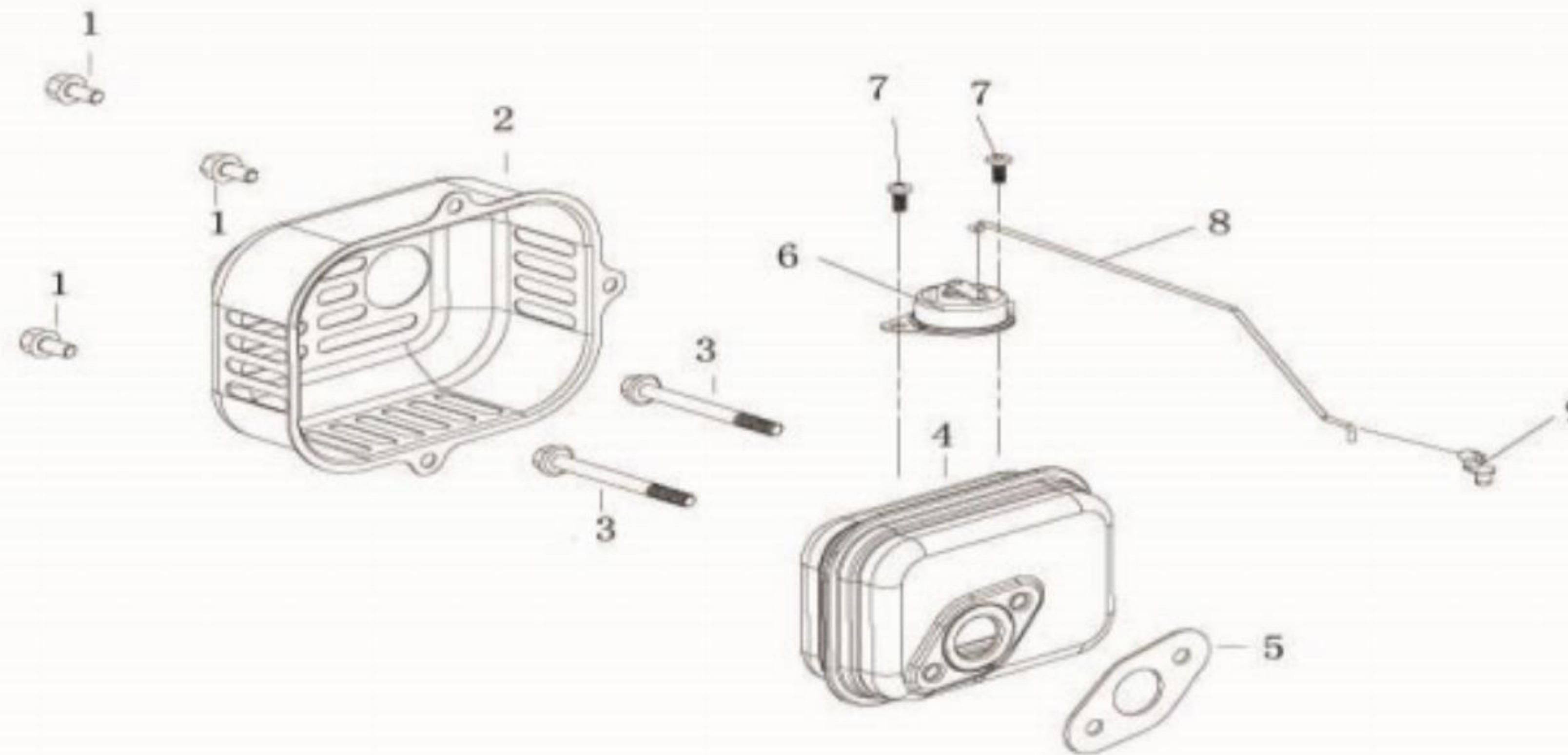
CARBURETOR

No.	Part No.	Description	Reqd. QTY
1	170430148-0001	Carburetor gasket	1
2	170440126-0002	Heat insulating pad for carburetor	1
3	170450006-0001	Heat insulating plate for carburetor	1
4	170022010-0001	Carburetor	1
5	170430162-0001	Carburetor gasket	1
6	171590025-0001	Throttle rod	1



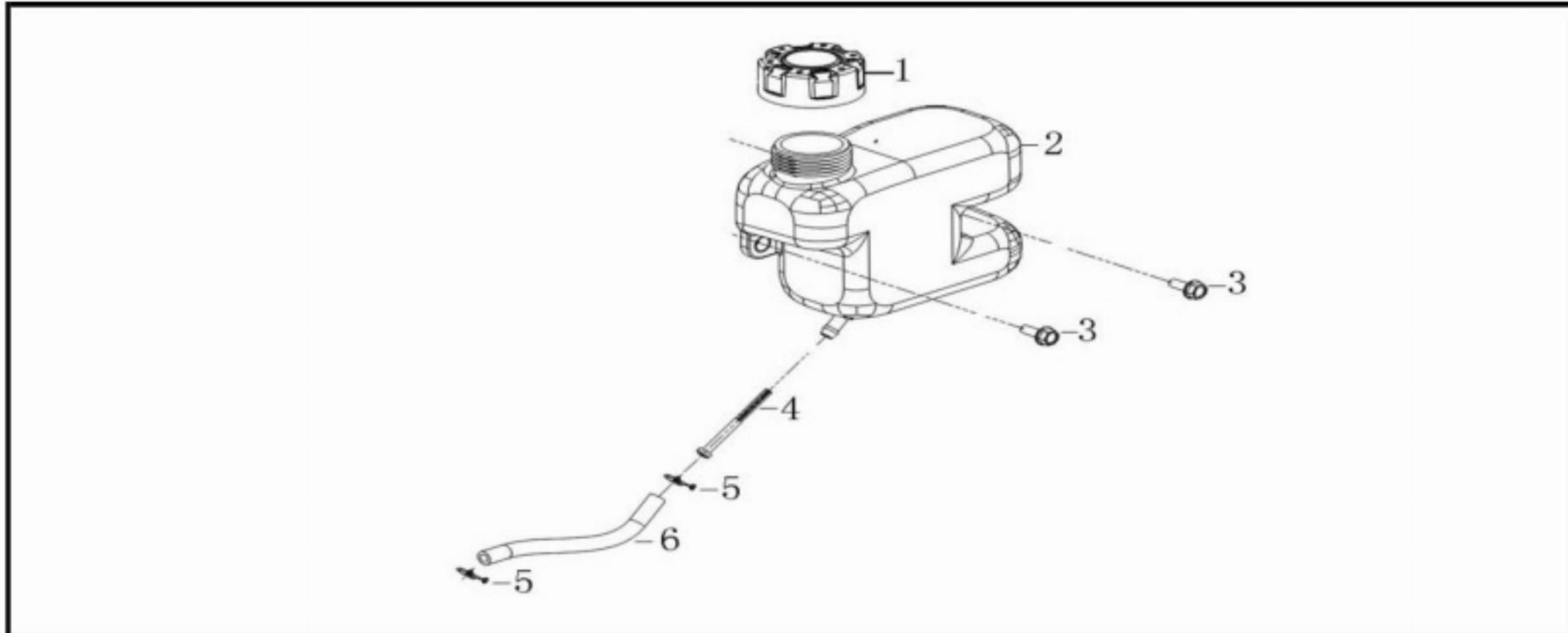
AIR CLEANER

No.	Part No.	Description	Reqd. QTY
1	380741094-0002	Breather tube	1
2	180020949-0001	Air filter	1
3	180130251-0001	Air filter element	1
4	180130250-0001	Air filter element	1
5	381000374-0001	Caulking	1
6	380370066-0001	Hexagon nut with flange	2



MUFFLER

No.	Part No.	Description	Reqd. QTY
1	380140209-0001	Hexagon bolt with flange	4
2	180960128-0001	Muffler guard shield	1
3	380140173-0002	Hexagon bolt with flange	2
4	180572097-0002	Muffler	1
5	180660077-0001	Muffler gasket	1
6	171470012-0001	Control components of choke valve	1
7	380140167-0002	Hexagon bolt with flange	2
8	171650040-0001	Choke valve pull rod	1
9	173090001-0001	Locker of choke valve pull rob	1



FUEL TANK

No.	Part No.	Description	Reqd. QTY
1	170870094-0001	Tank cover	1
2	170490156-0001	Tank	1
3	380020071-0001	Hexagon shaft shoulder bolt	2
4	170010017-0001	Fuel filter	1
5	380950190-0001	Pipe clip	2
6	380750633-0002	Oil tube	1