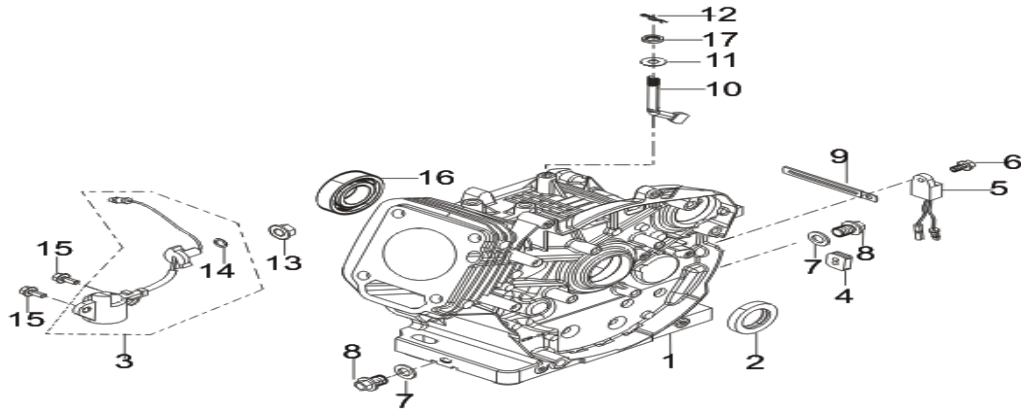


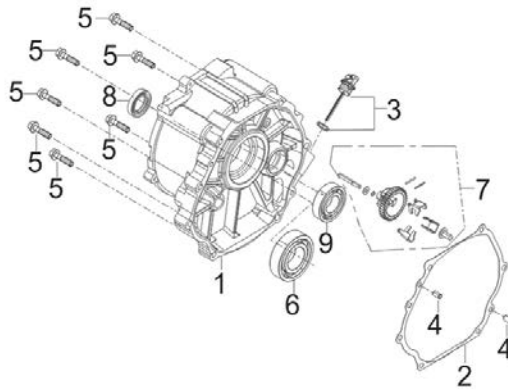
R440D GASOLINE ENGINE

FIG.1 CRANKCASE. / GEAR ASSY, GOVERNOR. (E01)



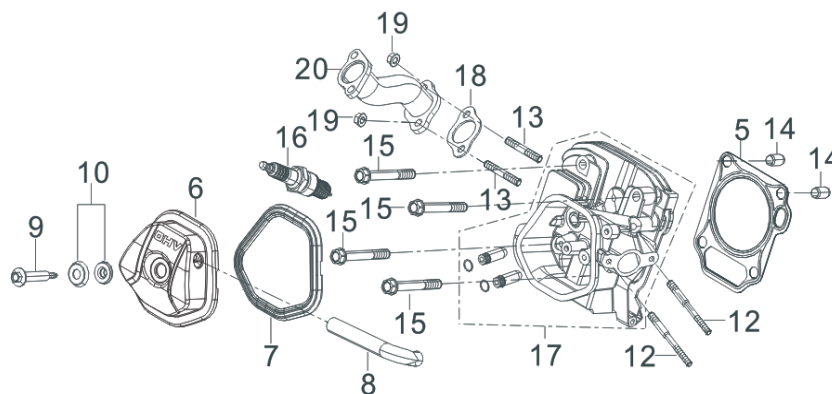
REF.NO.	PART NO	DESCRIPTION	Q'TY
E01-1	11310-Z710310-0B00	CRANKCASE SUBASSEMBLY.	1
E01-2	90682-Z310110-0000	SEAL, OIL	1
E01-3	37060-Z080120-0000	SENSOR, ENGINE OIL	1
E01-4	28101-Z080110-0000	PLUG, RUBBER	1
E01-5	37050-Z010310-0000	PROTECTOR, OIL	1
E01-6	90001-0612-01	BOLT	1
E01-7	90412-Z080110-0000	WASHER, FLAT	2
E01-8	11007-Z080110-0000	BOLT, DRAIN PLUG	2
E01-9	90684-Z030120-0000	CLIP	1
E01-10	16061-Z100110-0000	ARM, GOVERNOR	1
E01-11	90412-Z080210-0000	WASHER, FLAT	1
E01-12	90501-Z010110-0000	PIN	1
E01-13	90305-Z010210-01	NUT	1
E01-15	90001-0616-01	BOLT	2
E01-16	90548-0202-CL	BEARING	1
E01-17	90682-Z100210-0000	SEAL, OIL	1

FIG.2 COVER SUBASSEMBLY, CRANKCASE (E02)



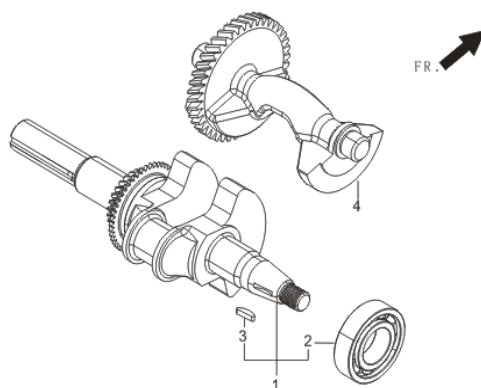
REF.NO.	PART NO	DESCRIPTION	Q'TY
E02-1	11411-Z100610-0B00	COVER ASSY, CRANKCASE	1
E02-2	11001-Z100120-0000	GASKET, CRANKCASE	1
E02-3	15010-Z080330-Q500	CAP COMP., OIL FILLER	1
E02-4	90502-0812-00	PIN	2
E02-5	90001-0840-01	BOLT	7
E02-6	90547-0207-00TM	BEARING	1
E02-7	16400-Z100110-0000	GEAR ASSY, GOVERNOR	1
E02-8	90682-Z310110-0000	OIL SEAL	1
E02-9	90548-0202-CL	BEARING	1

FIG.3 HEAD SUBASSEMBLY, CYLINDER / PLUG,SPARK (E03)



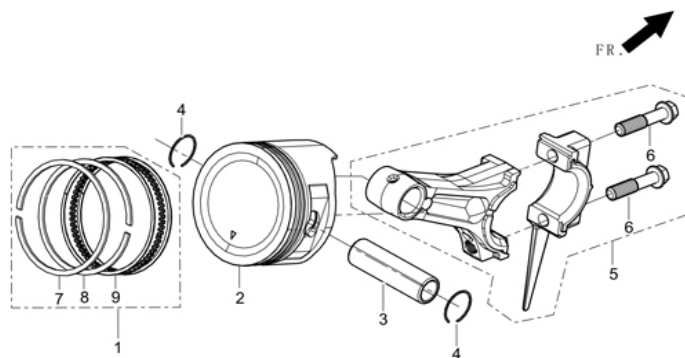
REF.NO.	PART NO	DESCRIPTION	Q'TY
E03-5	12131-Z710110-0000	GASKET, CYLINDER HEAD	1
E03-6	12410-Z310110-0000	COVER SUBASSEMBLY, CYLINDER HEAD	1
E03-7	12004-Z080110-0000	GASKET, CYLINDER HEAD COVER	1
E03-8	17004-Z080110-0000	TUBE, BREATHER	1
E03-9	12032-Z080110-0100	BOLT, CYLINDER HEAD	1
E03-10	12034-Z080110-0099	GASKET, CYLINDER HEAD COVER BOLT	1
E03-12	90204-Z100110-0000	STUD	2
E03-13	90203-Z010110-0000	STUD	2
E03-14	90502-1220-00	PIN	2
E03-15	12003-Z080110-0000	BOLT, CYLINDER HEAD	4
E03-16	30010-Z010110-0000	PLUG, SPARK	1
E03-17	12140-Z710210-0B99	HEAD SUBASSEMBLY, CYLINDER	1
E03-18	18001-Z190110-0000	GASKET, EXHAUST OUTLET	1
E03-19	90303-0800-31	NUT	2
E03-20	18150-Z100810-0000	PIPE, EXHAUST	1

FIG.4 ROD,CRANKSHAFT CONNETING(E04)



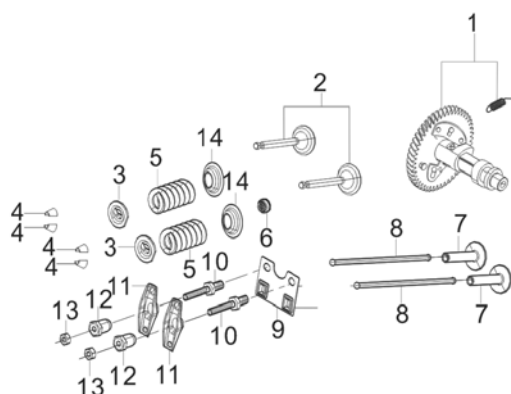
REF.NO.	PART NO	DESCRIPTION	Q'TY
E04-1	13300-Z191310-RBTM	CRANKSHAFT ASSY.	1
E04-4	13400-Z190320-0000	BALANCING SHAFT	1

FIG.5 RING SET,OIL / ROD,CRANKSHAFT CONNETING (E05)



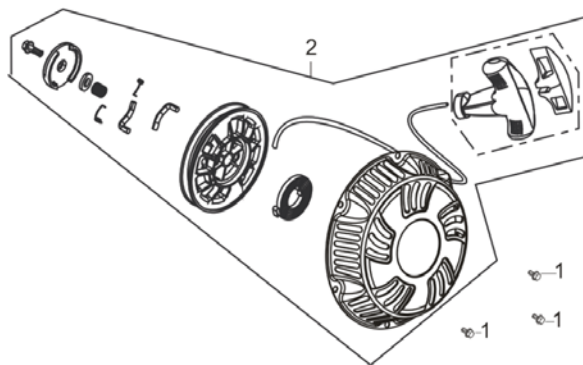
REF.NO.	PART NO	DESCRIPTION	Q'TY
E05-1	13200-Z710210-0099	PISTON RINGS SET	1
E05-2	13111-Z710210-0099	PISTON	1
E05-3	13121-Z710110-0000	PIN, PISTON	1
E05-4	13122-Z100110-0000	CLIP, PISTON PIN	2
E05-5	13010-Z190120-0000	ROD, CONNECTING	1

FIG.6 TRAIN, VALVE / CAMSHAFT SUBASSEMBLY (E06)



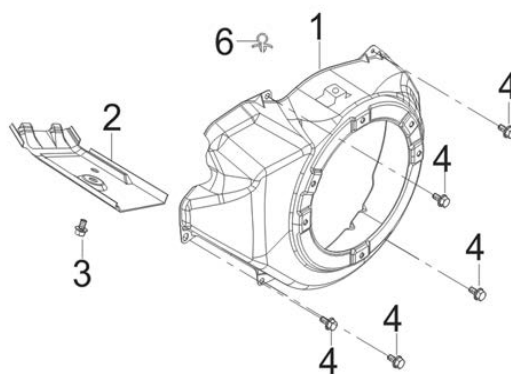
REF.NO.	PART NO	DESCRIPTION	Q'TY
E06-1	14200-Z190610-XL09	CAMSHAFT ASSY.	1
E06-2	12110-Z710110-0099	VALVES SET	1
E06-3	12112-Z710110-0000	RETAINER, VALVE SPRING	2
E06-4	12109-Z710110-0000	CLAMP, VALVE LOCK	2
E06-5	12103-Z710110-0000	SPRING, VALVE	2
E06-6	12101-Z020110-0000	GUIDE, SEAL	1
E06-7	14081-Z080110-0000	TAPPET, VALVE	2
E06-8	14070-Z100110-0000	TAPPET, VALVE	2
E06-9	14090-Z080110-0000	PLATE SUBASSEMBLY, LIFTER STOPPER	1
E06-10	14313-Z010110-0000	BOLT, VALVE ADJUSTING	2
E06-11	14311-Z080110-0000	ROCKER, VALVE	2
E06-12	14314-Z010110-0000	NUT, VALVE ADJUSTING	2
E06-13	14312-Z010110-0000	NUT, VALVE LOCK	2
E06-14	12106-Z710110-0000	RETAINER, VALVE OUTER SPRING	2

FIG.7 STARTER,RECOIL (E07)



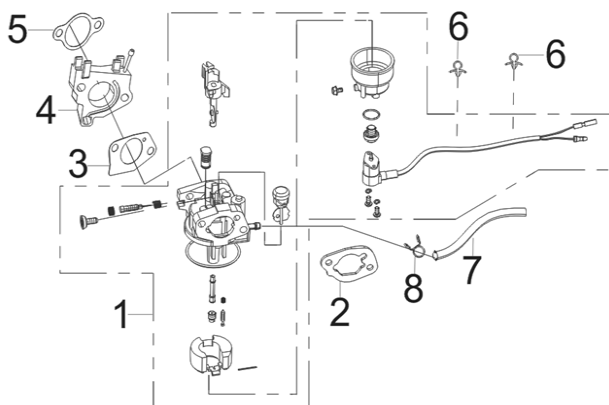
REF.NO.	PART NO	DESCRIPTION	Q'TY
E07-1	90001-0608-01	BOLT	3
E07-2	28200-Z101210-H700	STARTER ASSY, RECOIL	1

FIG.8 SHROUD / SHIELD,LOWER (E08)



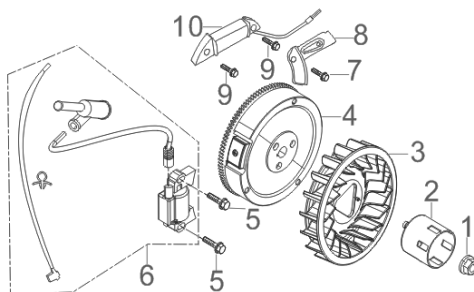
REF.NO.	PART NO	DESCRIPTION	Q'TY
E08-1	28110-Z710210-RW00	SHROU	1
E08-2	19304-Z100210-0000	SHROU, CYLINER BOY	1
E08-3	90001-0612-01	BOLT	1
E08-4	90001-0612-01	BOLT	5
E08-6	90684-Z030210-0000	CLIP	1

FIG.9 CARBURETOR ASSY. (E09)



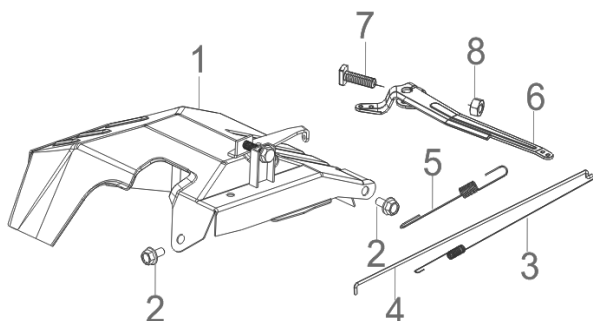
REF.NO.	PART NO	DESCRIPTION	Q'TY
E09-1	16100-Z710210-0000	CARBURETOR ASSY.	1
E09-2	17001-Z080110-0000	GASKET, AIR CLEANER	1
E09-3	16001-Z100110-0000	GASKET, CARBURETOR	1
E09-4	16003-Z100110-0000	PLATE, CARBURETOR INSULATOR	1
E09-5	17002-Z100110-0000	GASKET, INLET	1
E09-6	90684-Z030210-0000	CLIP	2
E09-7	90686-Z080410-0000	TUBE, FUEL	1
E09-8	90740-Z010210-0000	COLLAR	1

FIG.10 FLYWHEEL / IMPELLER / STARTER PULLEY / IGNITION COIL (E10)



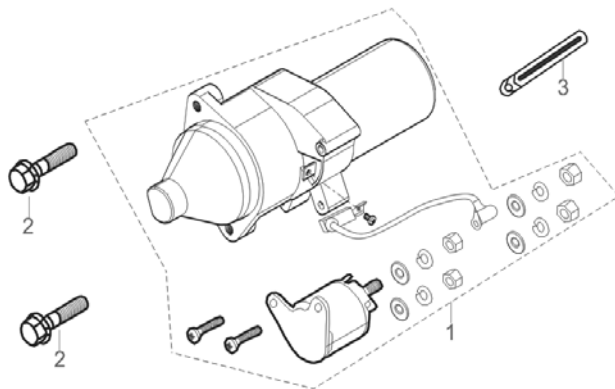
REF.NO.	PART NO	DESCRIPTION	Q'TY
E10-1	13501-Z080110-0000	NUT, FLYWHEEL	1
E10-2	28002-Z100210-0000	PULLEY,STARTER	1
E10-3	19352-Z100210-0000	IMPELLER	1
E10-4	13510-Z190120-0000	FLYWHEEL SUBASSEMBLY	1
E10-5	90001-0628-01	BOLT	2
E10-6	30400-Z190210-0000	COIL, IGNITION	1
E10-7	90001-0610-01	BOLT	1
E10-8	30001-Z170110-0000	CLAMP, CHARGE COIL	1
E10-9	90001-0632-01	BOLT	2
E10-10	30140-Z160230-0000	COIL SUBASSEMBLY, CHARGE	1

FIG.11 CONTROL ASSY, THROTTLE (E11)



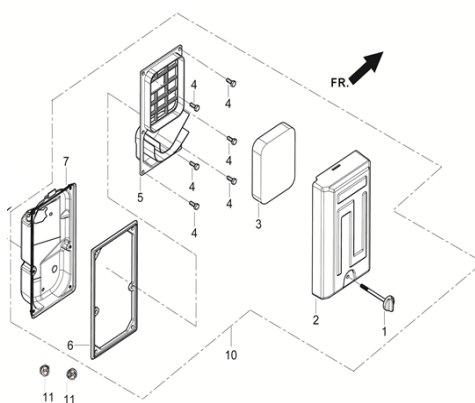
REF.NO.	PART NO	DESCRIPTION	Q'TY
E11-1	16520-Z710210-0000	CONTROL ASSY, THROTTLE	1
E11-2	90001-0612-01	BOLT	2
E11-3	16012-Z080110-0000	SPRING, THROTTLE VALVE RETURNING	1
E11-6	16062-Z100110-0000	ROD, GOVERNEOR	1
E11-5	16063-Z710110-0000	SPRING, GOVERNOR	1
E11-6	16070-Z100120-0000	SUPPORT SUBASSEMBLY, GOVERNOR	1
E11-7	16072-Z010110-0000	BOLT, GOVERNOR SUPPORT	1
E11-8	90305-0600-31	NUT	1

FIG.12 START-UP ELECTRIC MACHINE COMPONENTS (E12)



REF.NO.	PART NO	DESCRIPTION	Q'TY
E12-1	09100-Z170210-0001	MOTOR, STARTING	1
E12-2	90001-0835-01	BOLT	2
E12-3	90684-Z030120-0000	CLIP	1

FIG.13 CLEANER, AIR (F01)



REF.NO.	PART NO	DESCRIPTION	Q'TY
F01 - 3	17151-Z100210-0000	ELEMENT, AIR CLEANER	1
F01-10	17100-Z100210-0000	CLEANER,AIR	1
F01-11	90305-0600-31	NUT	2