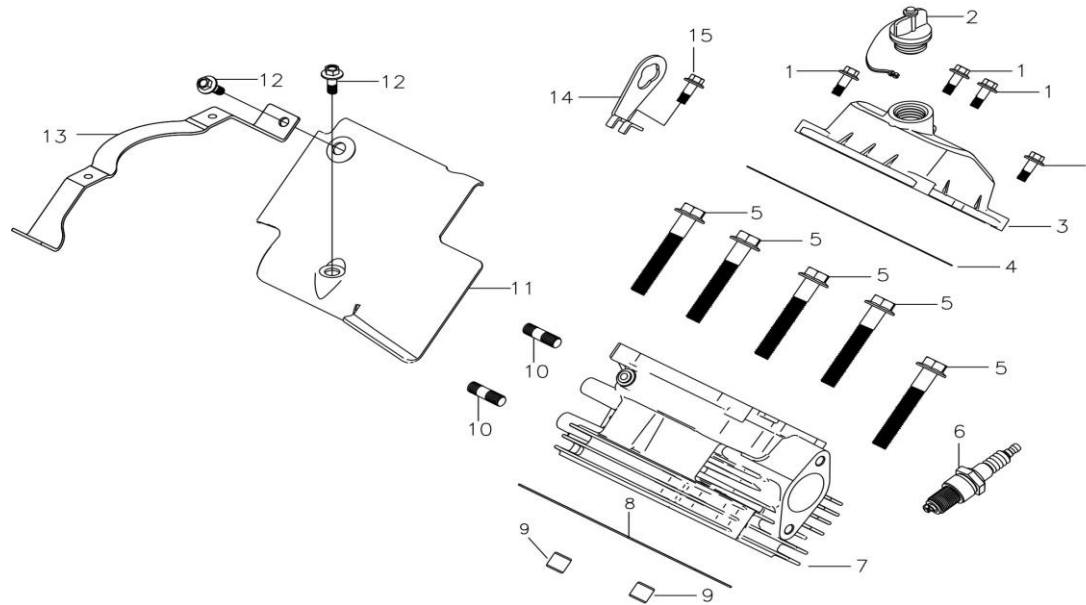


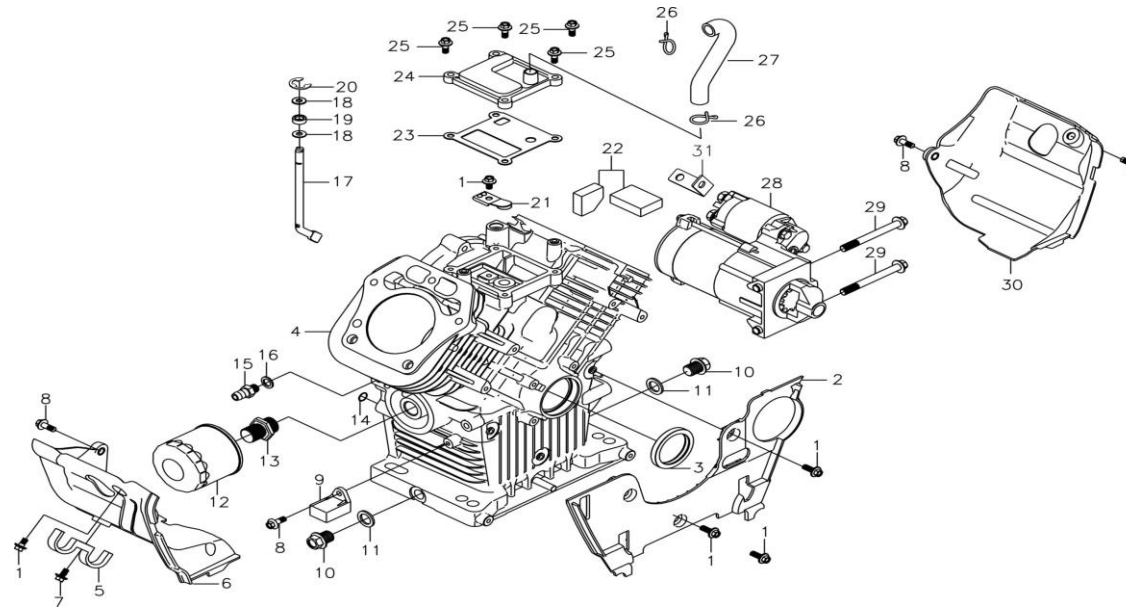
CYLINDER HEAD ASSY

No.	Part No.	Description	Reqd. QTY
1	380140103-0004	Hexagon bolt with flange	4
2	110690101-0001	Oil rule combination	1
3	120230165-0001	Cylinder head cover	1
4	120250058-0001	Gasket for cylinder head cover	1
5	380140454-0002	Hexagon bolt with flange	6
6	380180139-0001	Stud	4
7	120080786-0001	Cylinder head(L)	1
8	270960028-0002	Spark plug	1
9	120150250-0001	Gasket for cylinder head	1
10	380600122-0001	ocation pin	2
11	160190114-0001	air deflector(L)	1
12	380140013-0005	Hexagon bolt with flange	2
13	120550017-0001	Lifting eye	1
14	380020086-0001	Hexagon shaft shoulder bolt	1



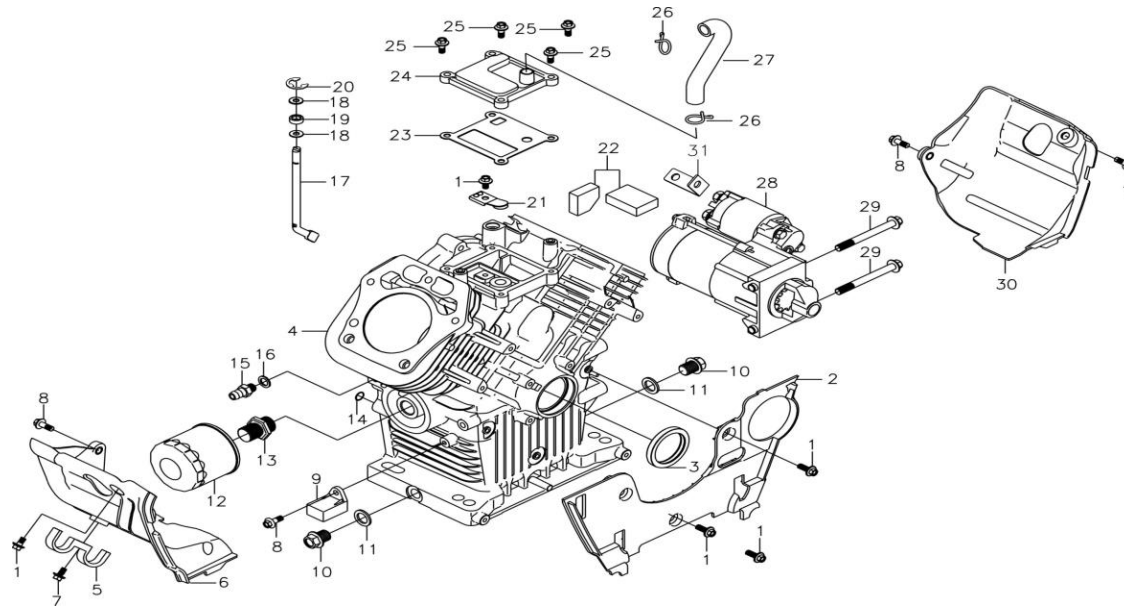
CYLINDER HEAD ASSY

No.	Part No.	Description	Reqd. QTY
1	380140103-0004	Hexagon bolt with flange	4
2	110690101-0001	Oil rule combination	1
3	120230165-0001	Cylinder head cover	1
5	380140454-0002	Hexagon bolt with flange	6
4	120250058-0001	Gasket for cylinder head cover	1
6	270960028-0002	Spark plug	1
7	120080787-0001	Cylinder head	1
8	120150250-0001	Gasket for cylinder head	1
9	380600122-0001	ocation pin	2
10	380180139-0001	Stud	2
11	160190115-0001	air deflector	1
12	380140013-0005	Hexagon bolt with flange	2
13	300710132-0001	Air filter bracket	1
14	120550017-0001	Lifting eye	1
15	380140004-0004	Hexagon bolt with flange	1



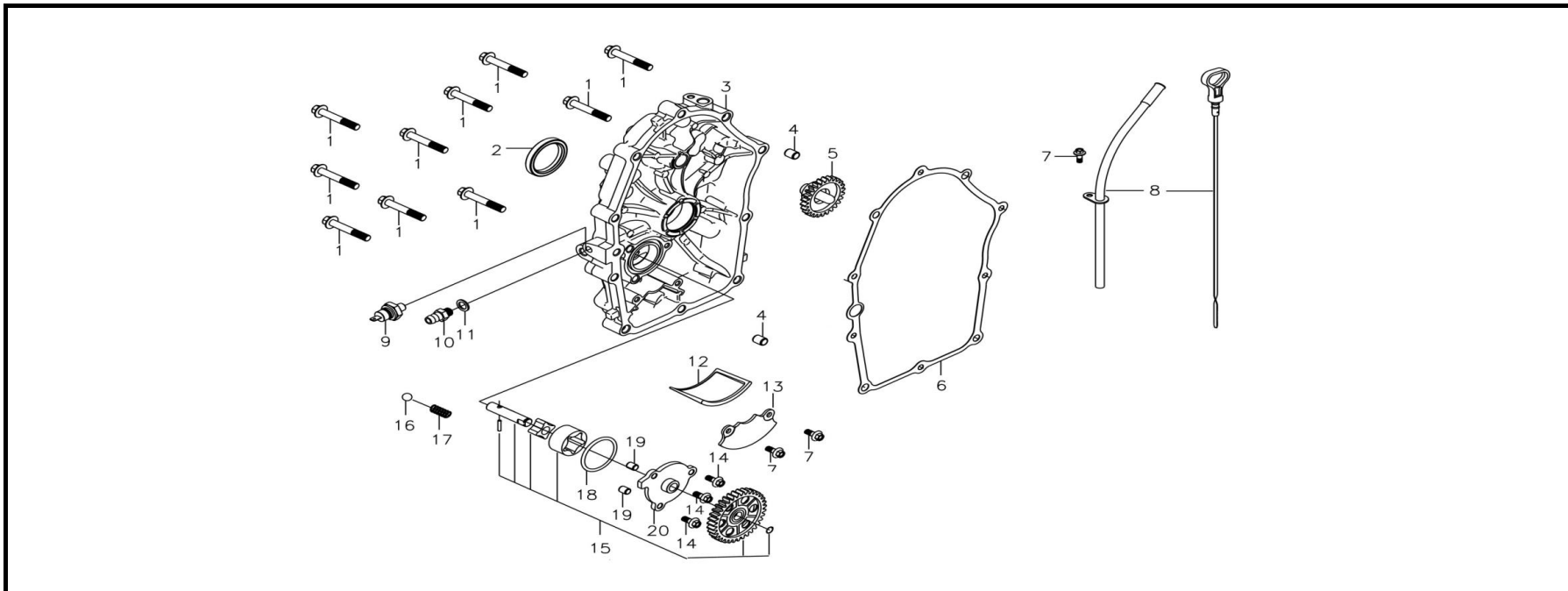
CRANKCASE

No.	Part No.	Description	Reqd. QTY
1	380140067-0003	Hexagon bolt with flange	5
2	160190111-0001	air deflector	1
3	380650337-0001	Oil seal	1
4	110810365-0001	Crankcase body	1
5	380930114-0001	Location wire nail	1
6	160190112-0001	air deflector	1
7	380140077-0005	Hexagon bolt with flange	1
8	380140013-0005	Hexagon bolt with flange	3
9	281890012-0001	Engine oil protector	1
10	110260001-0001	Sealing plug screw	2
11	380450591-0001	Flat washer	2
12	150350050-0001	Oil filter	1
13	150840004-0001	Oil filter Mounting bolts	1



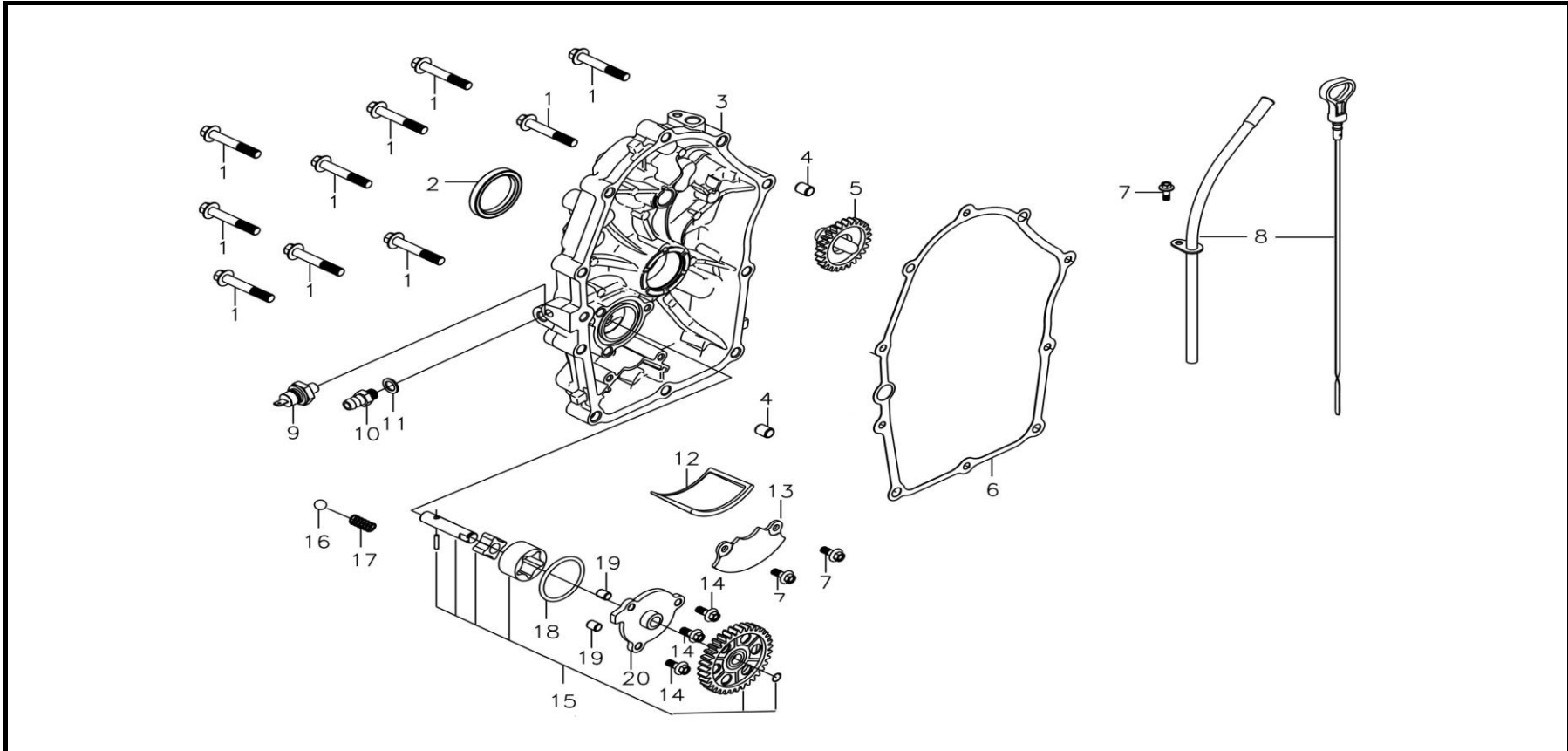
CRANKCASE

No.	Part No.	Description	Reqd. QTY
14	380840812-0001	Seal ring	1
15	380780084-0001	coupling	1
16	380450514-0001	Flat washer	1
17	171630035-0001	Speed regulating arm	1
18	380450522-0002	Flat washer	2
19	380650377-0001	Oil seal	1
20	380570024-0003	Split damping ring	1
21	140250019-0001	Leaf valve	1
22	150310020-0001	Filter	1
23	110850025-0001	PACKING, BREATHER CHAMBER	1
24	110840035-0001	CAP,BREATHER CHAMBER	1
25	380140077-0005	Hexagon bolt with flange	4
26	380950212-0001	Pipe clip	2
27	380741182-0001	Breather tube	1
28	270360140-0001	Components of starting motor	1
29	380140190-0003	Hexagon bolt with flange	2
30	160190113-0001	air deflector	1
31	270850025-0001	Starting Relay Support	1



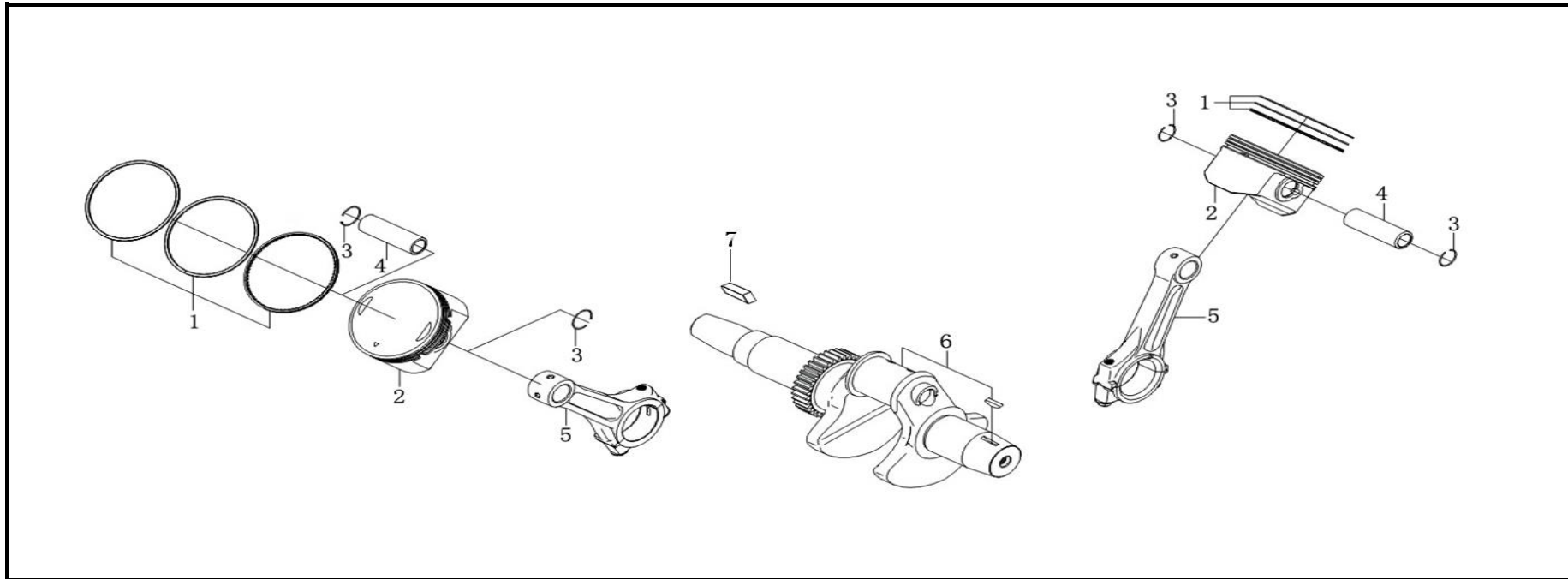
CRANKCASE COVER

No.	Part No.	Description	Reqd. QTY
1	380140339-0001	Hexagon bolt with flange	11
2	380650574-0001	Oil seal	1
3	110820200-0001	Crankcase cover	1
4	380600123-0001	ocation pin	2
5	171750043-0001	Components of governor gear	1
6	110830072-0001	Crankcase cover gasket	1
7	380140067-0003	Hexagon bolt with flange	3
8	110690116-0001	Oil rule combination	1
9	283690006-0001	Oil level alarm	1
10	380780084-0001	coupling	1
11	380450514-0001	Flat washer	1
12	150290019-0001	Engine oil Strainer	1



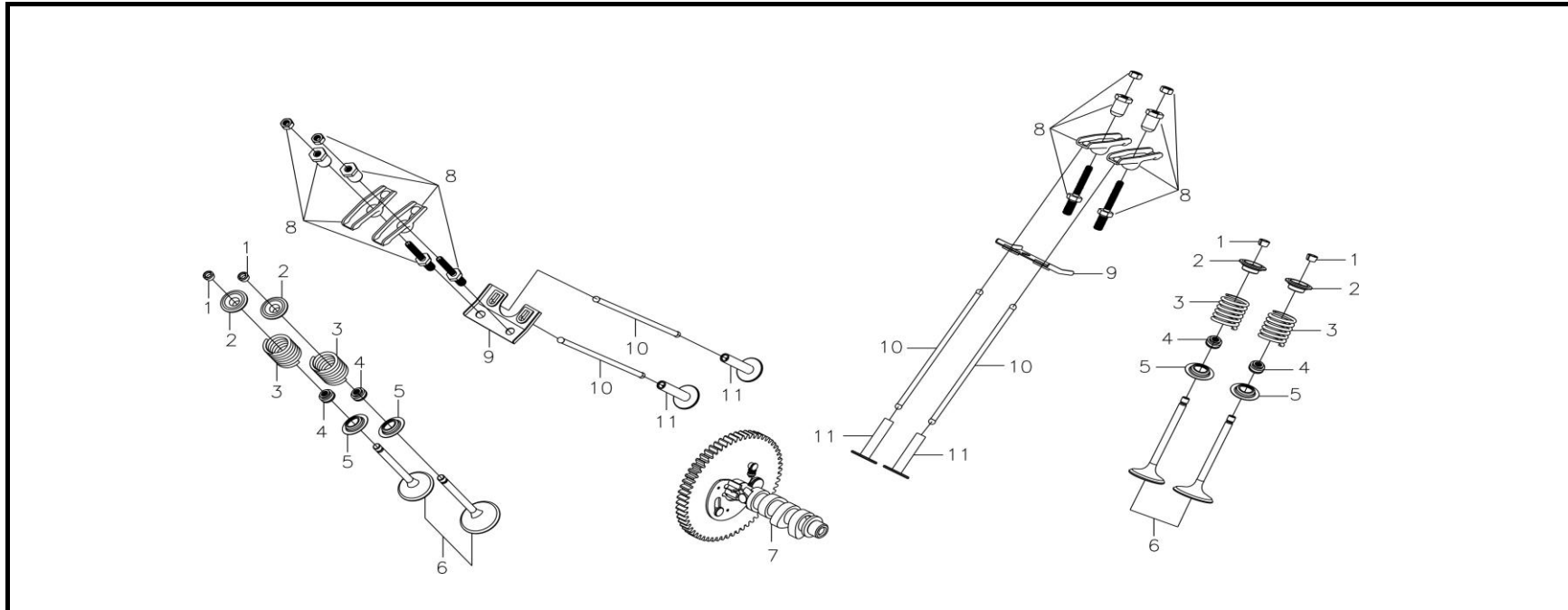
CRANKCASE COVER

No.	Part No.	Description	Reqd. QTY
13	150340012-0001	Cover,Oil Strainer	1
14	380140077-0005	Hexagon bolt with flange	3
15	150010109-0001	Components of oil pump	1
16	380640016-0001	Steel ball	1
17	381150370-0001	Compression spring	1
18	380840976-0001	Seal ring	1
19	380600121-0001	ocation pin	2
20	150040053-0001	Oil pump cover	1



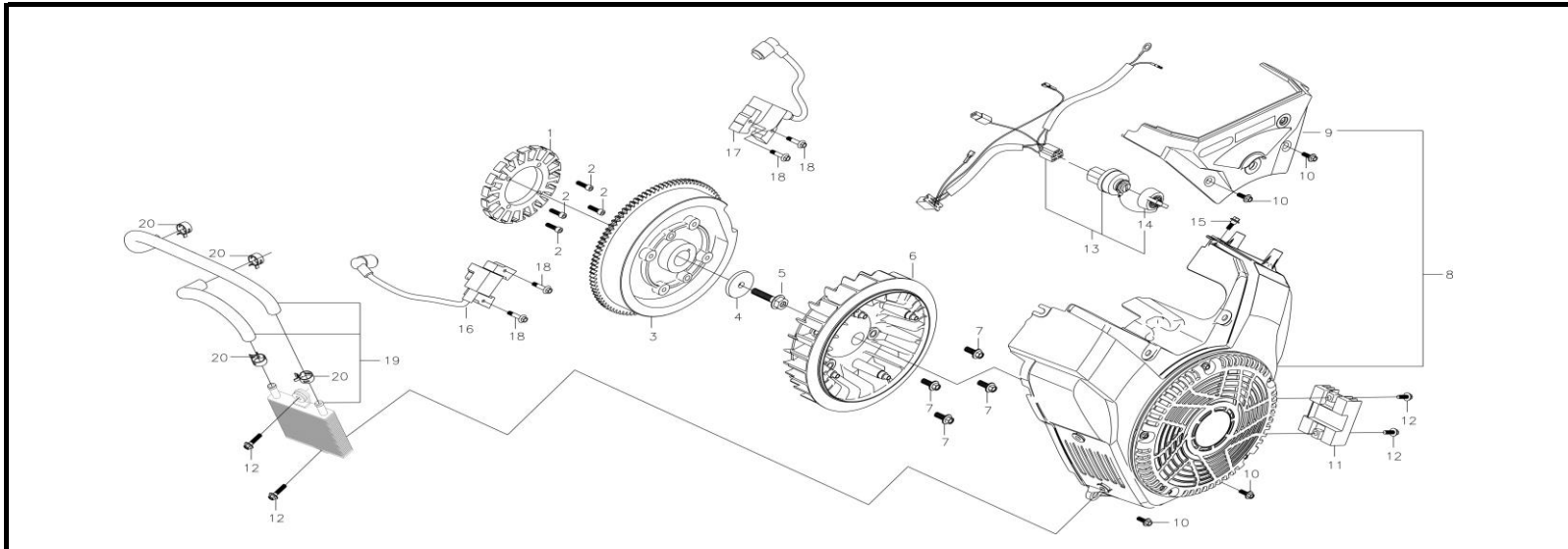
CRANKSHAFT PISTON

No.	Part No.	Description	Reqd. QTY
1	130070157-0001	Piston ring combination	2
2	130030226-0001	Piston	2
3	380560078-0001	Steel cable baffle ring	4
4	130060054-0001	Piston pin	2
5	130150073-0001	Connecting rod	2
6	130290644-0001	crankshaft	1
7	380620041-0001	Key	1



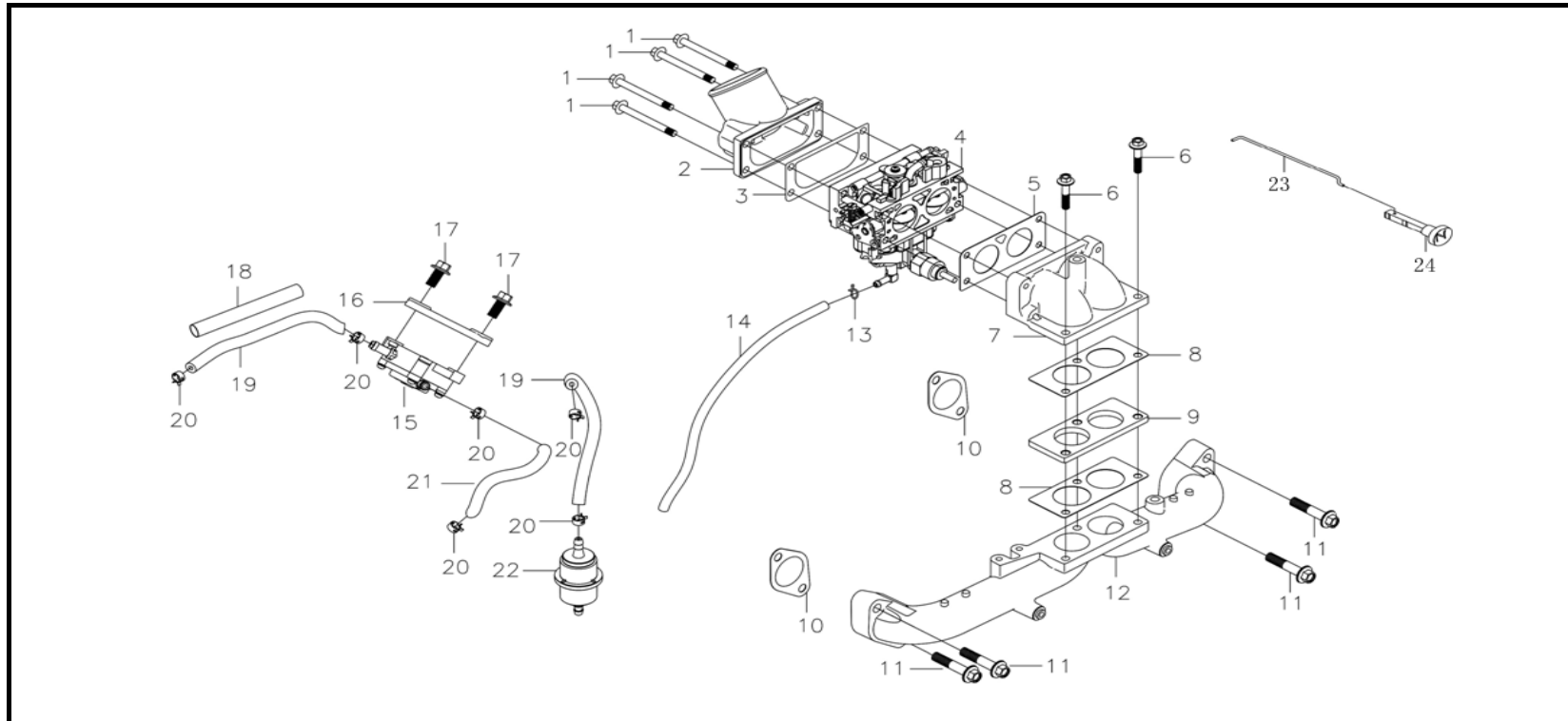
ROCKER,CAMSHAFT

No.	Part No.	Description	Reqd. QTY
1	140390015-0001	Valve locker	8
1	140380021-0001	Retainer, valve spring	4
2	140340025-0001	Inner spring of valve	4
4	140400012-0001	Valve oil seal	4
5	140360010-0001	Seat, valve spring	4
6	500550037-0001	Valve Kit	2
7	140020178-0001	Camshaft assy	1
8	140450062-0001	Valve rocker combination	4
9	140710014-0001	Plate, push rod guide	2
10	140670037-0001	Push rod	4
11	140690017-0001	Lifter, Valve	4



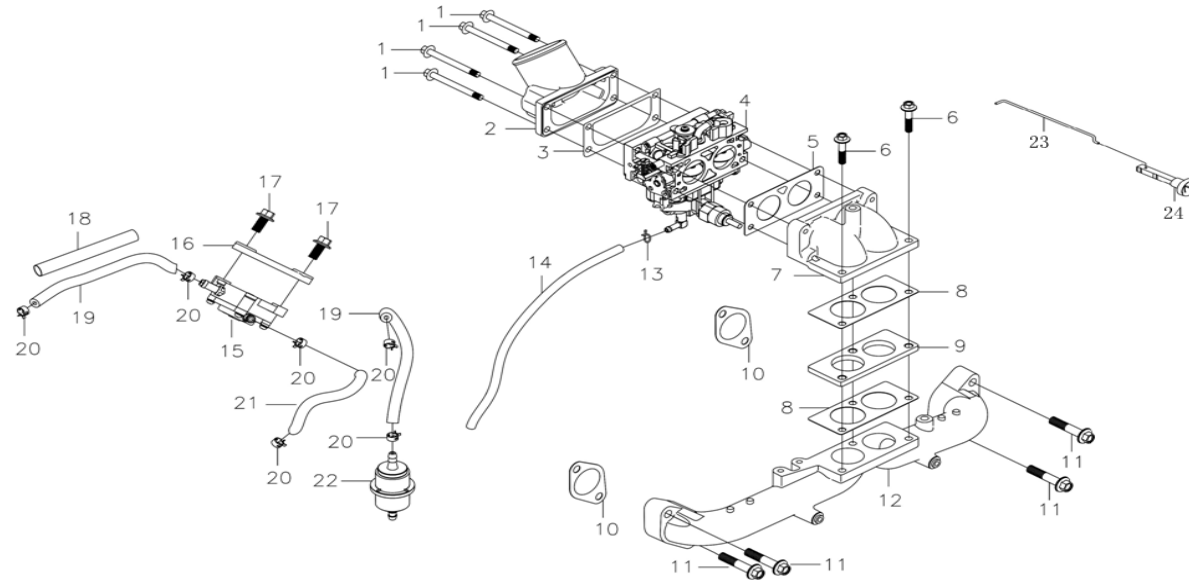
FLYWHEEL

No.	Part No.	Description	Reqd. QTY
1	270190060-0001	Components of charging current armature	1
2	380190008-0005	Socket head screw	4
3	270020357-0001	FLYWHEEL COMP	1
4	380451020-0001	Flat washer	1
5	380140457-0001	Hexagon bolt with flange	1
6	160180020-0001	Impeller	1
7	380140004-0004	Hexagon bolt with flange	4
8	160210141-0001	Fan cover comp.	1
9	160710007-0001	Fan cover Windshield	1
10	380140013-0005	Hexagon bolt with flange	4
11	270880261-0001	RectifierVariable voltage rectifier	1
12	380140103-0004	Hexagon bolt with flange	4
13	271810062-0001	Start control switch	1
14	271340081-0001	Ignition switch key	1
15	380020086-0001	Hexagon shaft shoulder bolt	1
16	270920466-0001	COIL ASSY.,IGNNTION(L)	1
17	270920465-0001	COIL ASSY.,IGNNTION(R)	1
18	380140054-0003	Hexagon bolt with flange	4
19	160010110-0001	Heat sink Part	1
20	380960223-0001	Clip combination	4



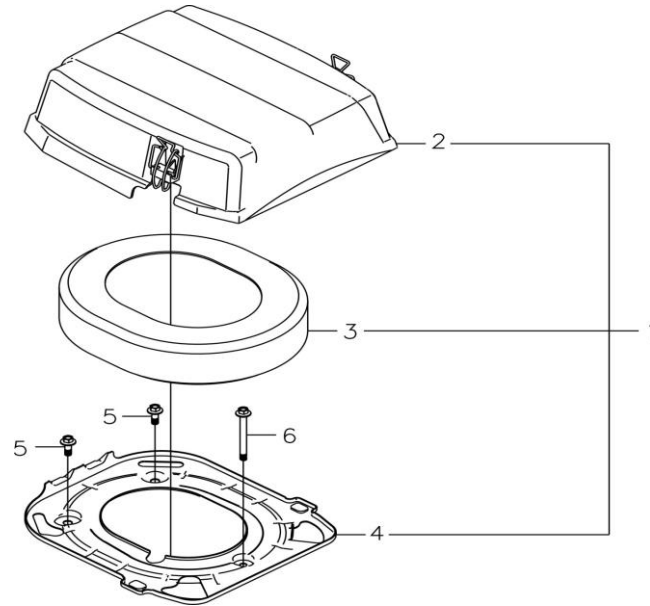
CARBURETOR

No.	Part No.	Description	Reqd. QTY
1	380140375-0001	Hexagon bolt with flange	4
2	180280130-0001	Air filter seat	1
3	170430192-0001	Carburetor gasket	1
4	170021972-0003	Carburetor	1
5	170430191-0001	Carburetor gasket	1
6	380140054-0003	Hexagon bolt with flange	2
7	180420661-0001	Intake pipe	1
8	170430190-0001	Carburetor gasket	2
9	170440101-0001	Heat insulating pad for carburetor	1
10	170430210-0001	Carburetor gasket	2
11	380140051-0005	Hexagon bolt with flange	4
12	180420749-0001	Intake pipe	1
13	380950188-0001	Pipe clip	1



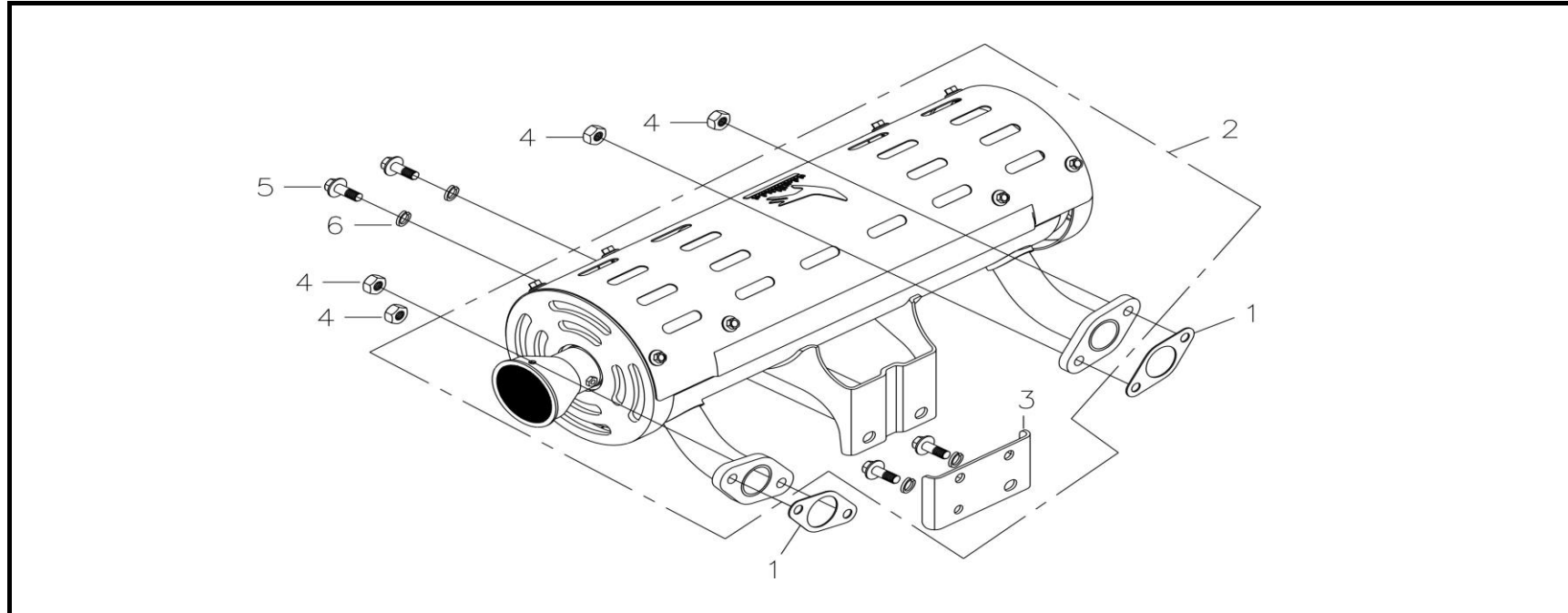
CARBURETOR

No.	Part No.	Description	Reqd. QTY
14	380750942-0001	Oil tube	1
15	170460031-0001	Gasoline pump	1
16	174680002-0001	COVER,FUEL PUMP	1
17	380140103-0004	Hexagon bolt with flange	2
18	380770292-0001	Protective sleeve	1
19	380750381-0001	Oil tube	2
20	380960120-0004	Clip combination	6
21	380741320-0001	Breather tube	1
22	170010045-0001	Fuel filter	1
23	171650045-0001	Choke valve pull rod	1
24	172920012-0001	Choke valve handle combination	1



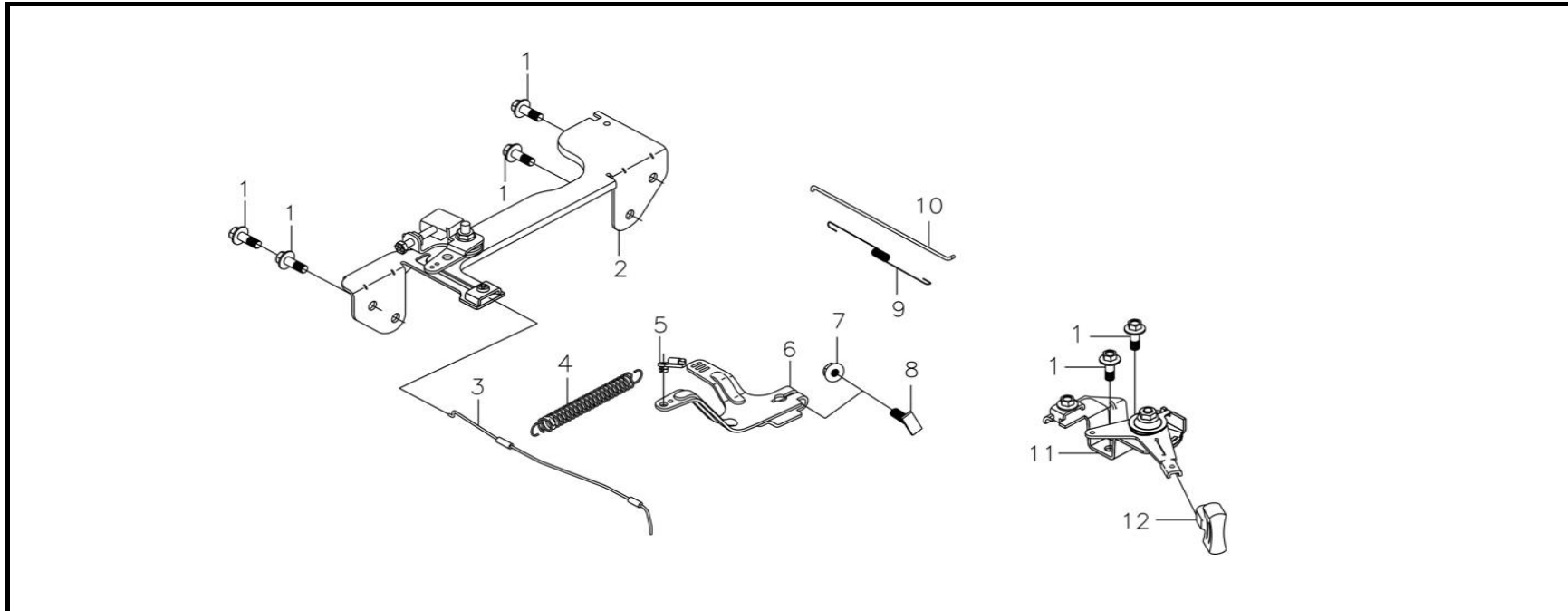
AIR CLEANER

No.	Part No.	Description	Reqd. QTY
1	180020901-0001	Air filter	1
2	180070265-0001	Air filter casing cover	1
3	180100113-0001	Air filter element combination	1
4	180330062-0001	Support plate body of filter element	1
5	380140067-0003	Hexagon bolt with flange	2
6	380140375-0001	Hexagon bolt with flange	1



MUFFLER

No.	Part No.	Description	Reqd. QTY
1	180650130-0001	Outlet gasket	1
2	180572402-0001	Muffler	1
3	180990138-0001	Muffler bracket	1
4	380340005-0009	Hexagon nut	4
5	380140004-0004	Hexagon bolt with flange	2
6	380460001-0006	Elastic washer	2



CONTROL

No.	Part No.	Description	Reqd. QTY
1	380140067-0003	Hexagon bolt with flange	6
2	171730073-0001	Support plate for speed regulating	1
3	171210615-0001	Throttle cable	1
4	171600127-0001	Governing spring	1
5	175030002-0001	Throttle locker	1
6	171620051-0002	Speed regulating bracket	1
7	380370066-0002	Hexagon nut with flange	1
8	380250003-0002	Square head set screw with flat point	1
9	171610039-0001	throttle return spring	1
10	171590042-0001	Throttle rod	1
11	171680183-0001	Throttle handle combination	1
12	173710005-0001	Throttle handle Rubber sleeve	1