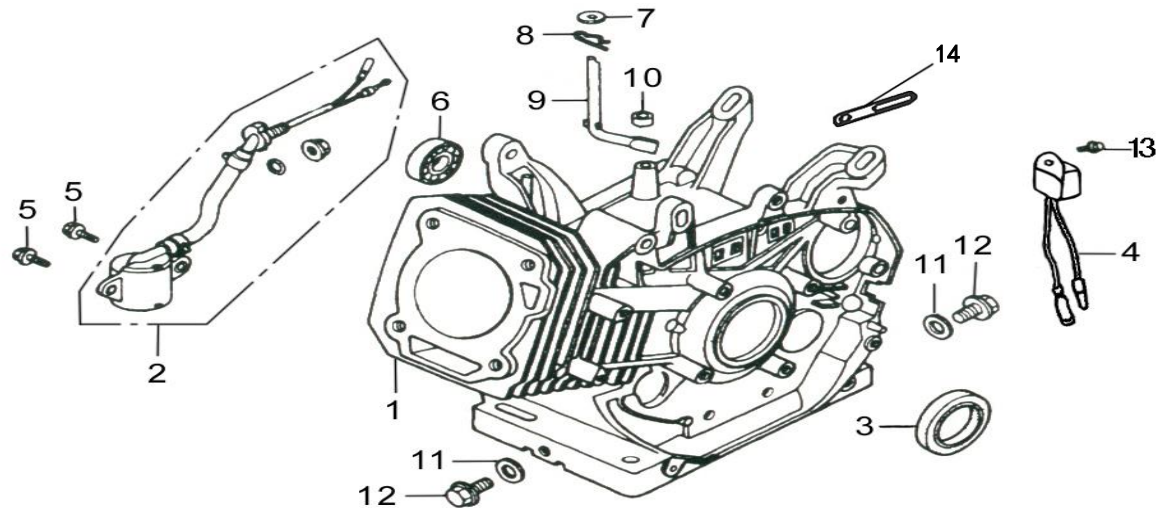


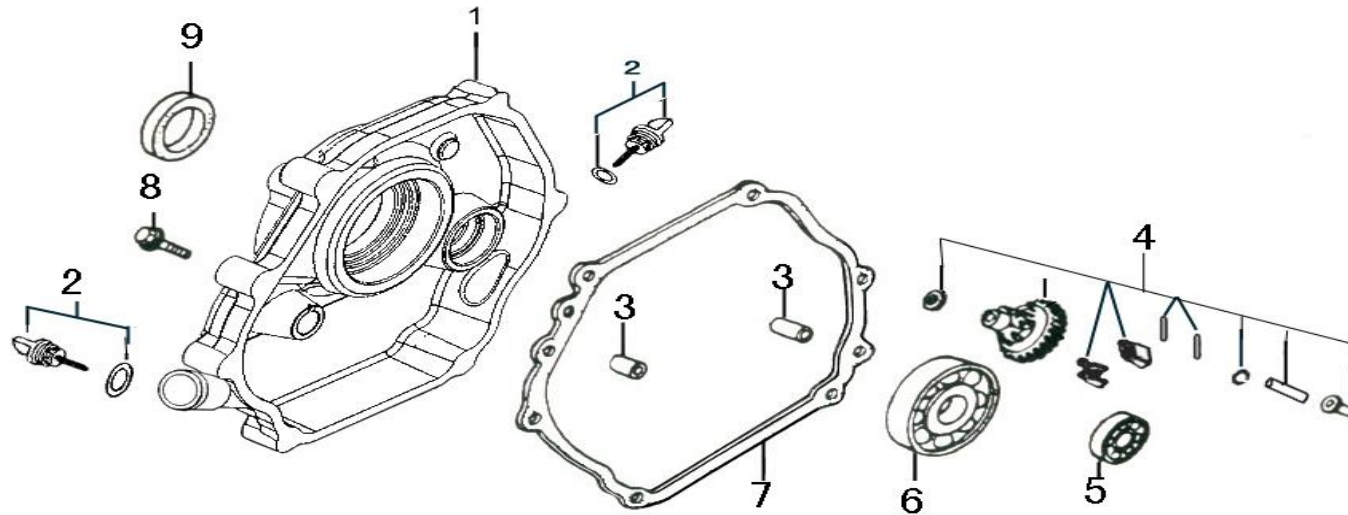
### Cylinder head

No.	Part No.	Description	Req. QTY
1	120080284-0001	Cylinder head	1
2	120420011-0001	Bolt combination for cylinder head cover	1
3	120220009-0001	Cylinder head cover assy	1
4	380840425-0001	Seal ring	1
5	380140337-0001	Hexagon bolt with flange	4
6	380740460-0001	Breather tube	1
7	380180099-0001	Stud	2
8	270960014-0001	Spark plug	1
9	120150145-0001	Gasket for cylinder head	1
10	380600116-0001	ocation pin	2
11	380180092-0001	Stud	2



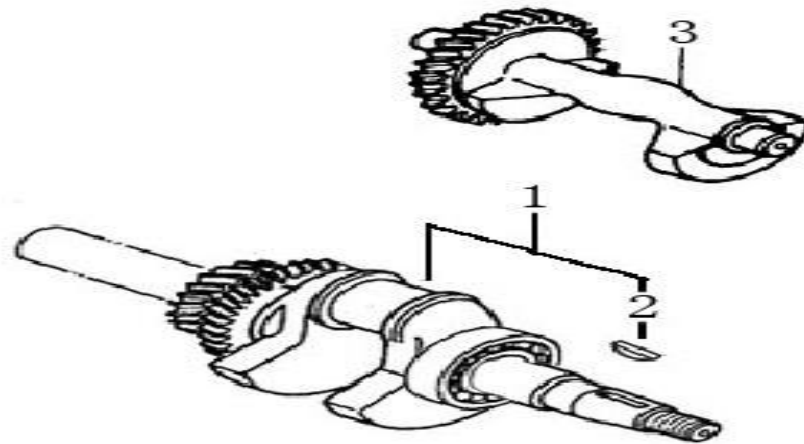
### Crankcase

No.	Part No.	Description	Req. QTY
1	110810285-0001	Crankcase body	1
2	281850152-0001	Oil level sensor	1
3	380650336-0001	Oil seal	1
4	281890001-0001	Engine oil protector	1
5	380140215-0003	Hexagon bolt with flange	2
7	380450522-0001	Flat washer	1
8	381350004-0001	Pin clip	1
9	171630002-0001	Speed regulating arm	1
11	380450516-0001	Flat washer	2
12	110260024-0001	Sealing plug screw	2
13	380140001-0006	Hexagon bolt with flange	1
14	380940346-0003	Cable cleat	1



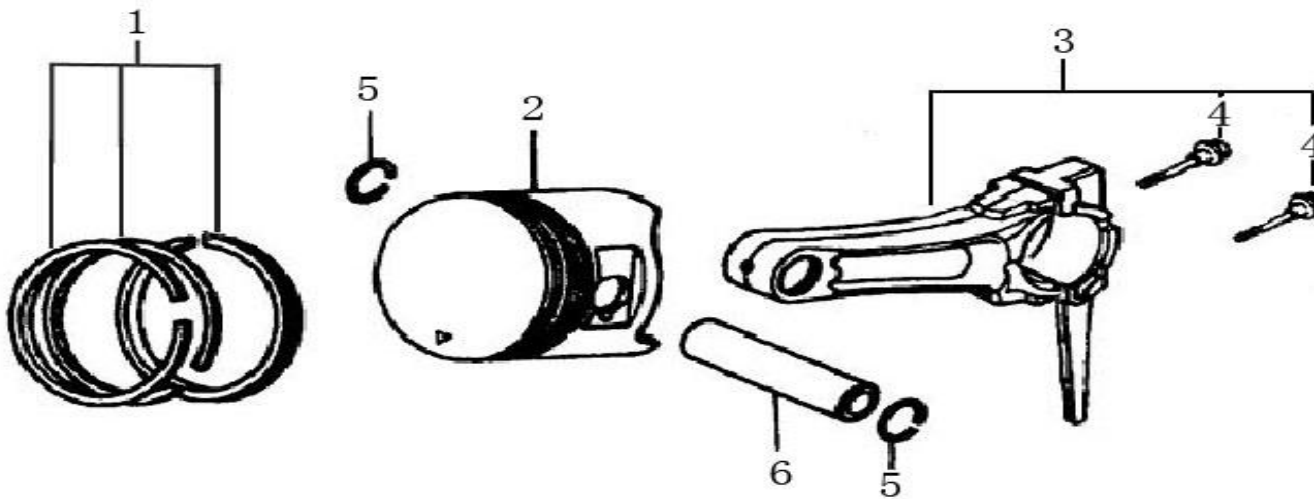
### Crankcase cover

No.	Part No.	Description	Req. QTY
1	110820004-0001	Crankcase cover	1
2	110690097-0003	Oil rule combination	2
3	380600119-0001	ocation pin	2
4	171750008-0001	Components of governor gear	1
6	380630140-0002	Bearing	1
7	110830010-0001	Crankcase cover gasket	1
8	380140051-0005	Hexagon bolt with flange	7
9	380650336-0001	Oil seal	1



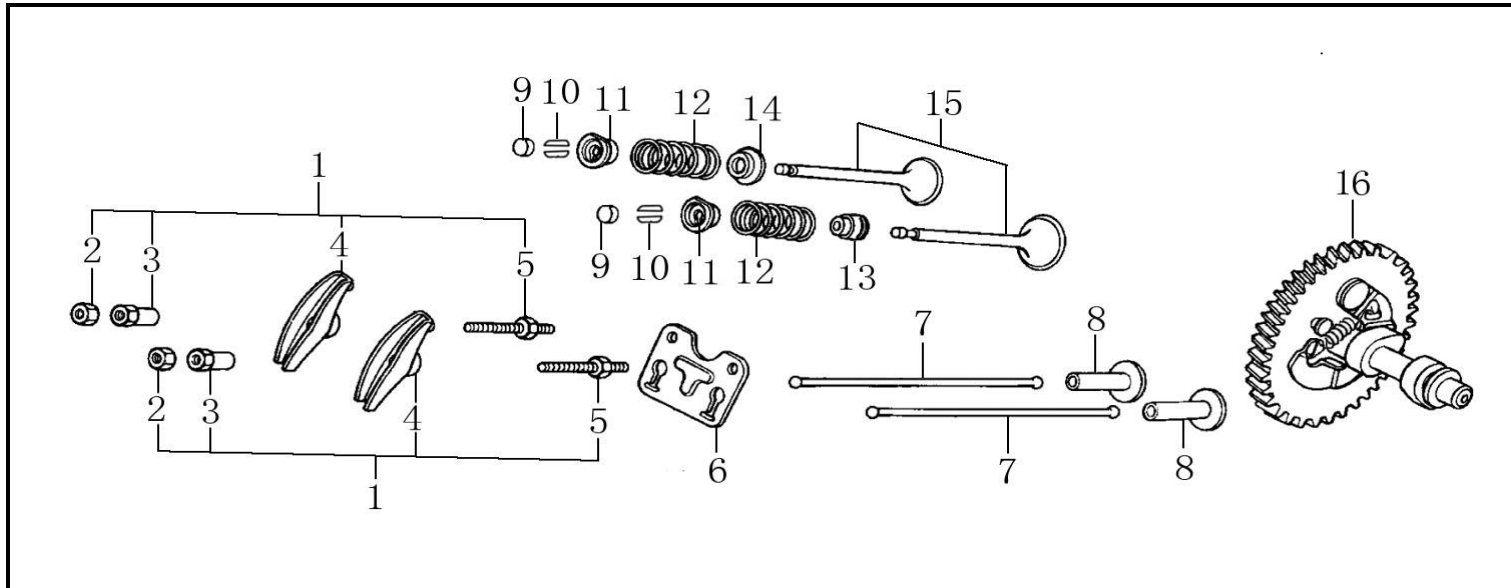
### Crankshaft

No.	Part No.	Description	Req. QTY
1	130290062-0001	crankshaft	1
2	380620050-0001	Key	1



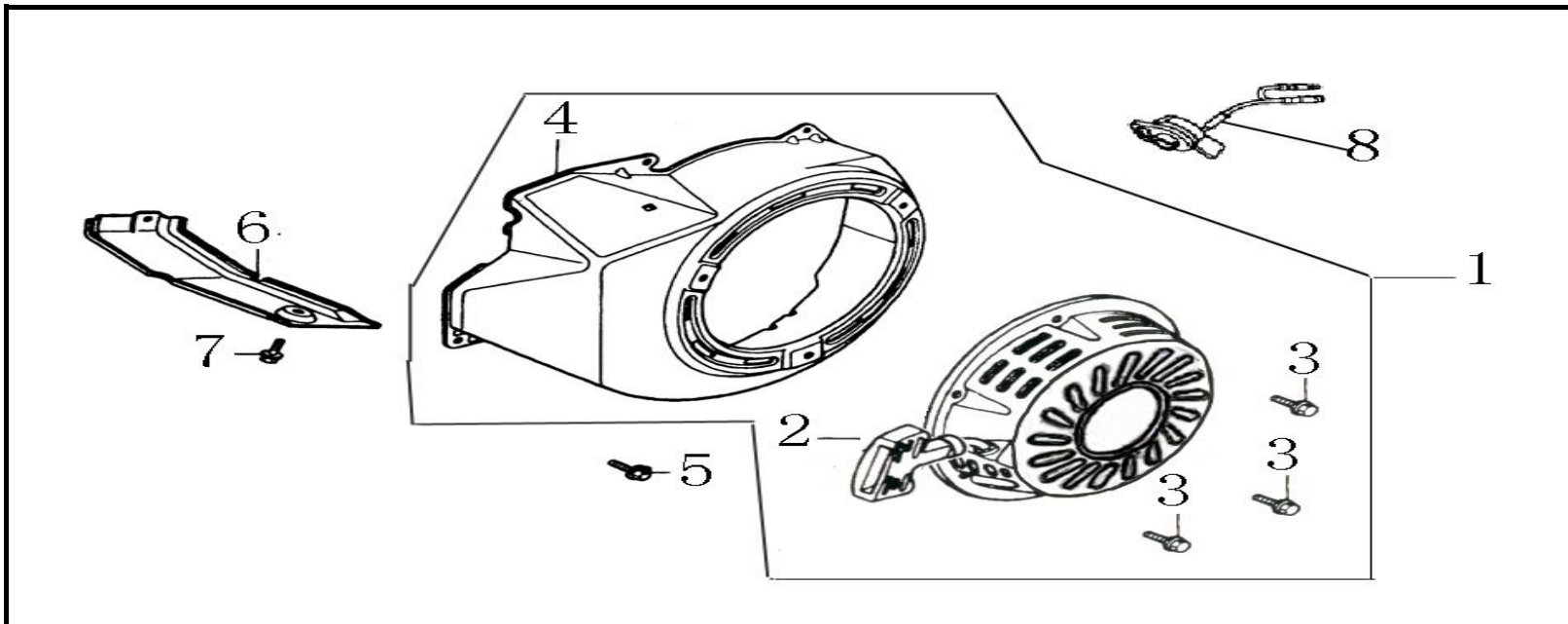
Piston/connecting rod

No.	Part No.	Description	Req. QTY
1	130070184-0001	Piston ring combination	1
2	130030225-0001	Piston	1
3	130150163-0001	Connecting rod	1
4	130180002-0001	Connecting rod bolt	2
5	380560078-0001	Steel cable baffle ring	2
6	130060054-0001	Piston pin	1



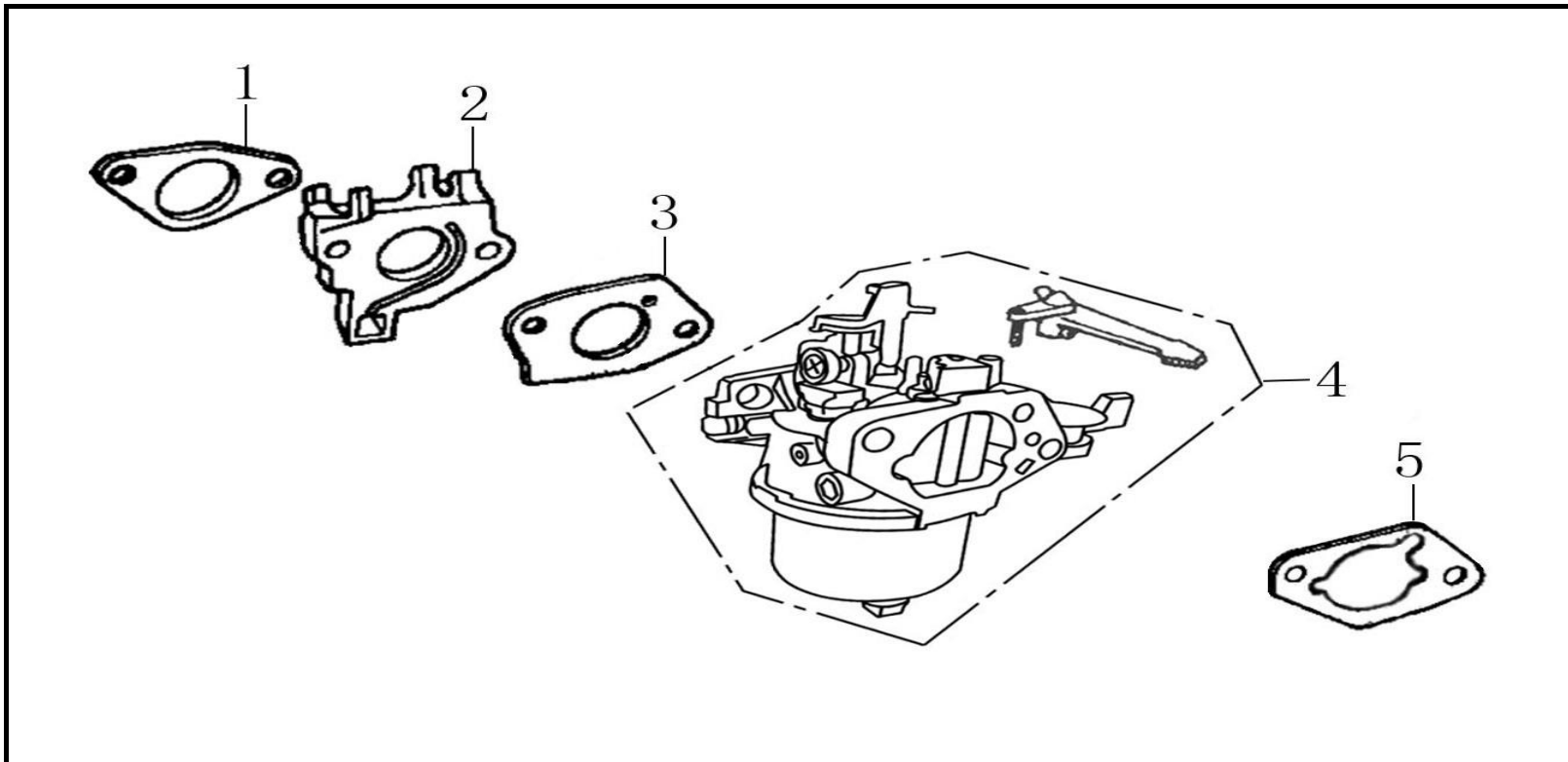
### Camshaft

No.	Part No.	Description	Req. QTY
1	140450023-0001	Valve rocker combination	2
2	140470001-0001	Valve lock nut	2
3	140490012-0001	Adjustable nut of valve	2
4	140460024-0001	Valve rocker	2
5	140480012-0001	Adjustable bolt of valve	2
6	140710002-0001	Plate, push rod guide	1
7	140670005-0001	Push rod	2
8	140690004-0001	Lifter, Valve	2
9	140320002-0001	Valve adjustment cap	2
10	140390015-0001	Valve locker	4
11	140380021-0001	Retainer, valve spring	2
12	140340025-0001	Inner spring of valve	2
13	140400012-0001	Valve oil seal	1
14	140360010-0001	Seat, valve spring	1
15	500550031-0001	Valve Kit	1
16	140020112-0001	Camshaft assy	1



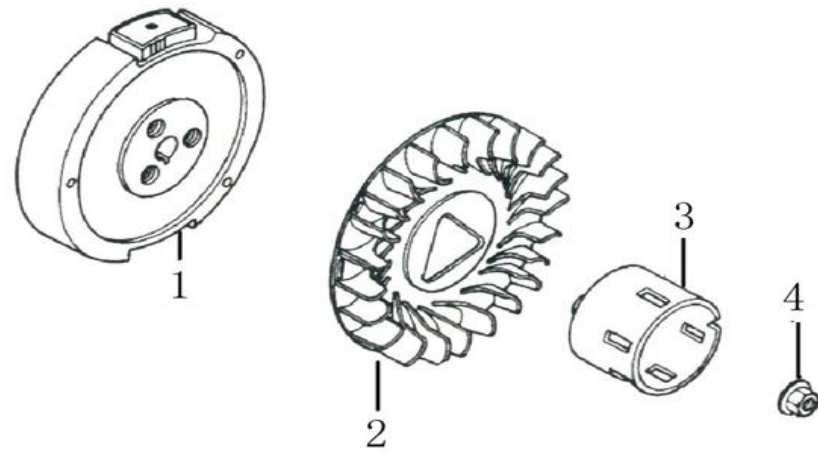
### Starter

No.	Part No.	Description	Req. QTY
1	193490075-0005	Manual starting assembly	1
2	193500035-0001	Manual starting components	1
3	380140531-0001	Hexagon bolt with flange	3
4	160210008-0001	Fan cover comp.	1
5	380140011-0004	Hexagon bolt with flange	4
6	160190005-0001	air deflector	1
7	380140001-0006	Hexagon bolt with flange	1
8	271660028-0001	Stop switch	1



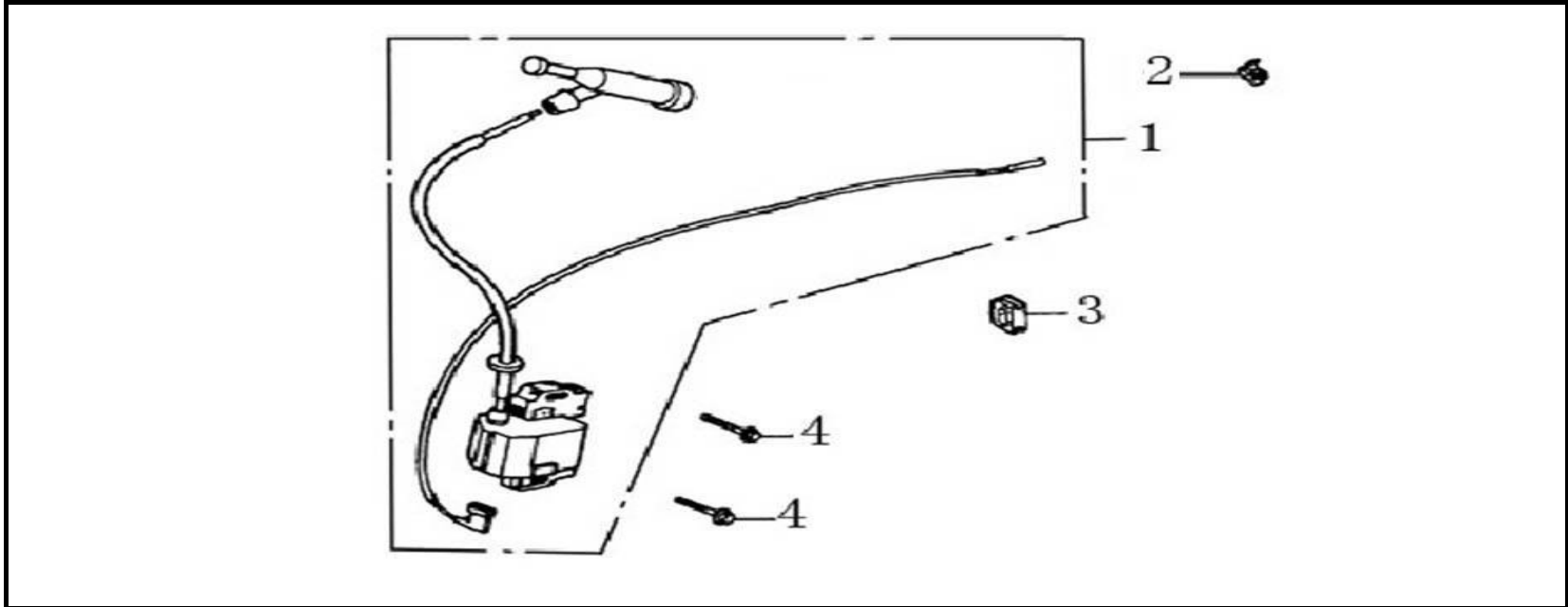
**Carburetor**

No.	Part No.	Description	Req. QTY
1	170430061-0001	Carburetor gasket	1
2	170440039-0001	Heat insulating pad for carburetor	1
3	170430049-0001	Carburetor gasket	1
4	170022240-0001	Carburetor	1
5	170430070-0001	Carburetor gasket	1



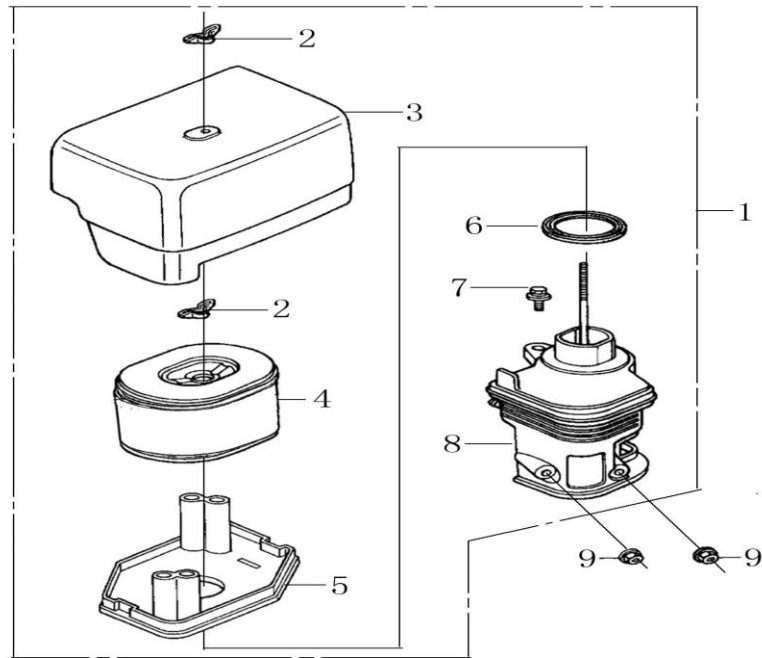
### Flywheel

No.	Part No.	Description	Req. QTY
1	270020083-0001	FLYWHEEL COMP	1
2	160180040-0001	Impeller	1
3	193590004-0001	Starting disc	1
4	380370050-0001	Hexagon nut with flange	1



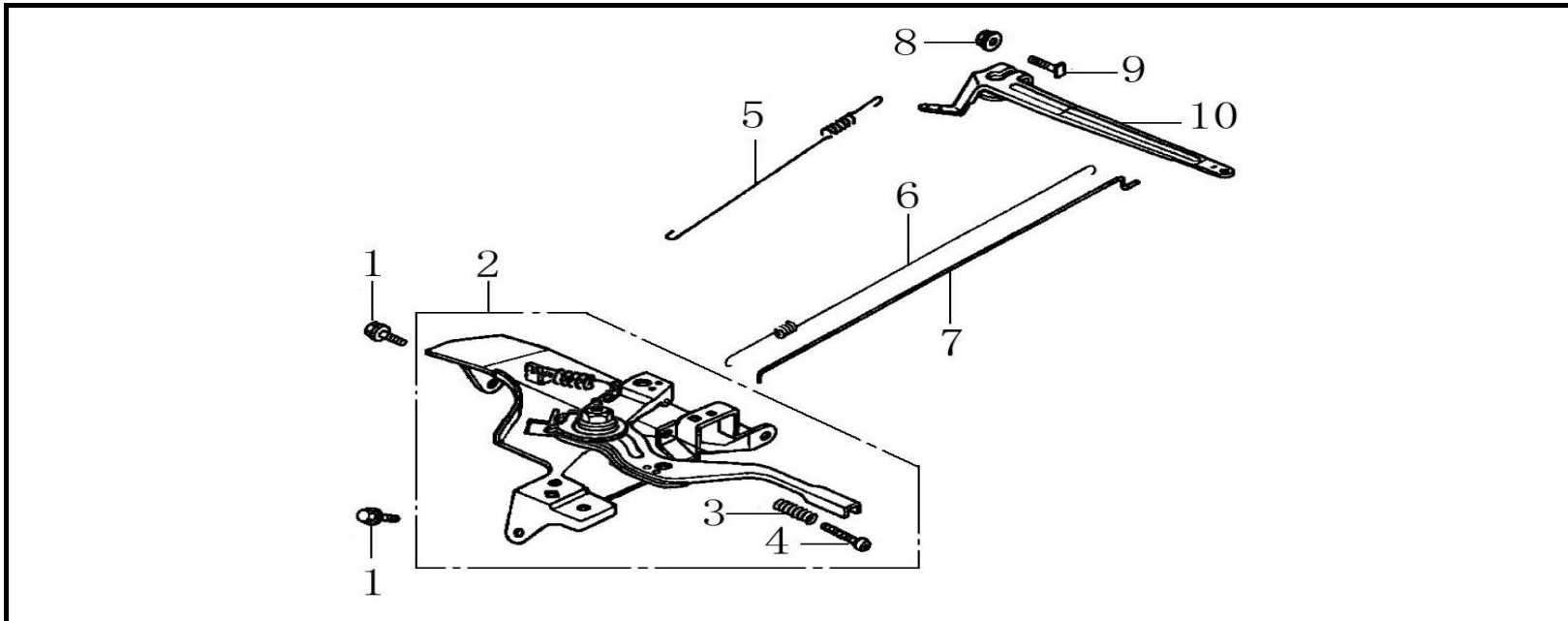
Ignition Comp

No.	Part No.	Description	Req. QTY
1	270920181-0001	COIL ASSY.,IGNNTION	1
2	380930024-0001	Location wire nail	1
3	380930023-0001	Location wire nail	1
4	380140102-0004	Hexagon bolt with flange	2



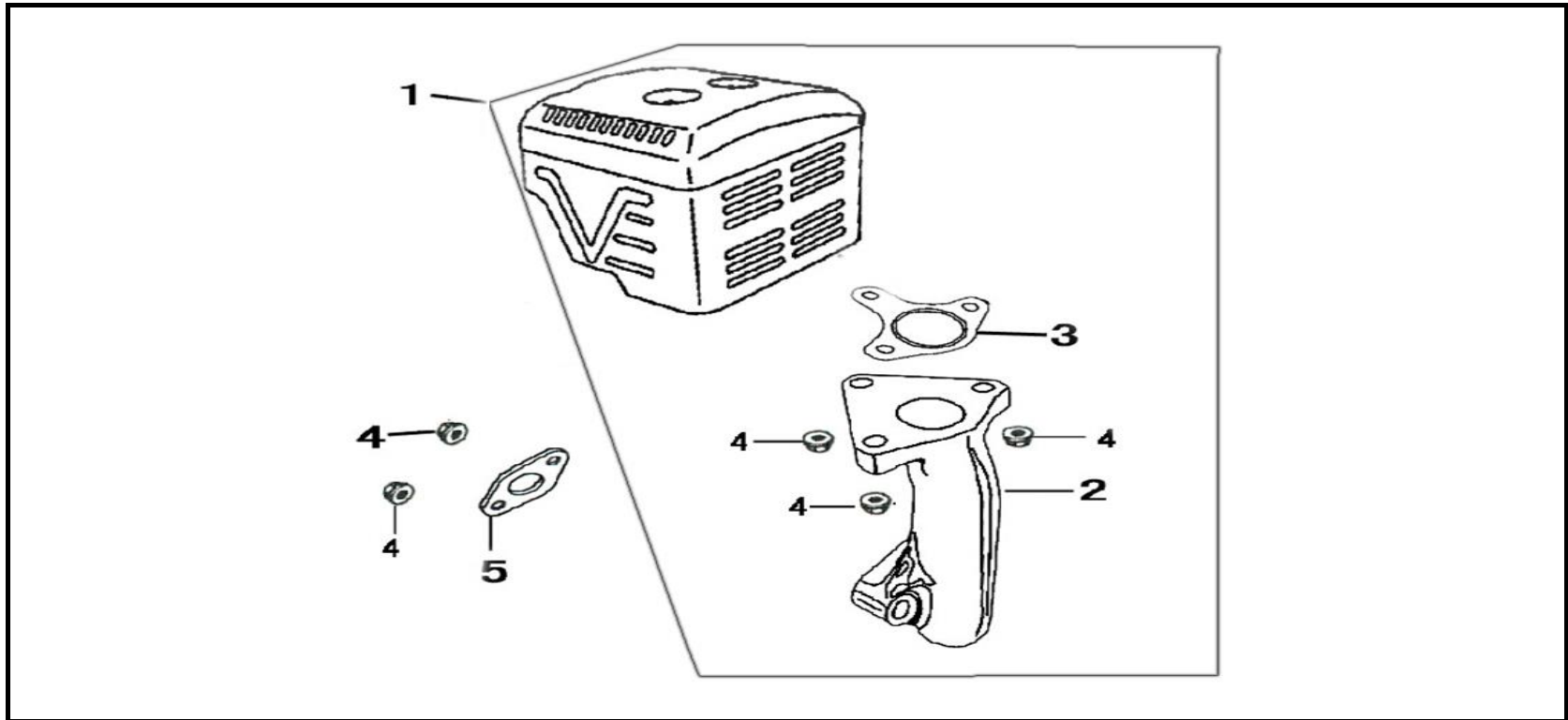
### Air cleaner

No.	Part No.	Description	Req. QTY
1	180020314-0001	Air filter	1
2	380440002-0001	Butterfly nut	2
3	180070089-0001	Air filter casing cover	1
4	180100038-0001	Air filter element	1
5	180330019-0001	Support plate body of filter element	1
6	380840432-0001	Seal ring	1
8	180280002-0001	Air filter seat	1
9	380370048-0001	Hexagon nut with flange	2



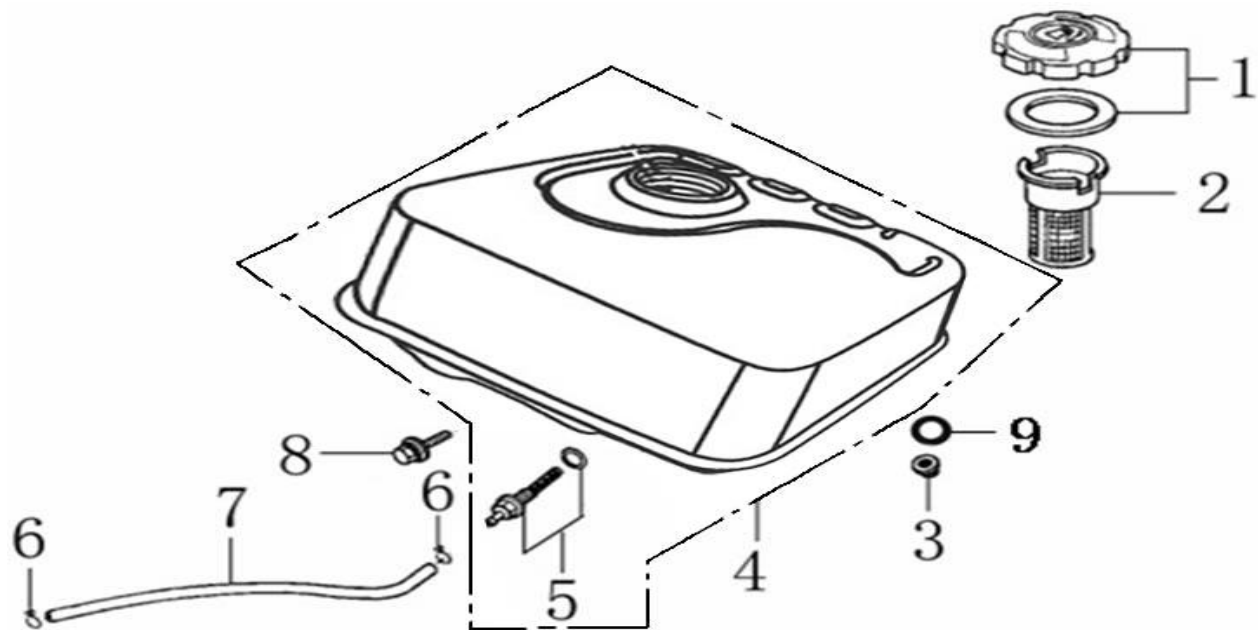
Control

No.	Part No.	Description	Req. QTY
1	380140001-0006	Hexagon bolt with flange	2
2	171680012-0001	Throttle handle combination	1
3	171660002-0001	speed regulating Limit spring	1
4	380200017-0005	Cross recessed pan head screw	1
5	171600006-0001	Governing spring	1
6	171610001-0001	throttle return spring	1
7	171590003-0001	Throttle rod	1
8	380370066-0001	Hexagon nut with flange	1
9	380250002-0001	Square head set screw with flat point	1
10	171620002-0003	Speed regulating bracket	1



Muffler

No.	Part No.	Description	Req. QTY
1	180570769-0002	Muffler	1
2	180590092-0001	Outlet pipe	1
3	180660033-0001	Muffler gasket	1
4	380370007-0004	Hexagon nut with flange	5
5	180650090-0001	Outlet gasket	1



Fuel tank

No.	Part No.	Description	Req. QTY
1	170870039-0001	Tank cover	1
2	170720001-0001	Pouring orifice filter screen combination	1
3	380370048-0001	NUT , FLANGE	2
4	170500571-0029	Tank	1
5	170660077-0001	Tank oilout	1
6	380950188-0001	Pipe clip	2
7	380750182-0002	Oil tube	1
8	380140102-0004	Hexagon bolt with flange	1
9	380920086-0001	rubber flat gasket	2