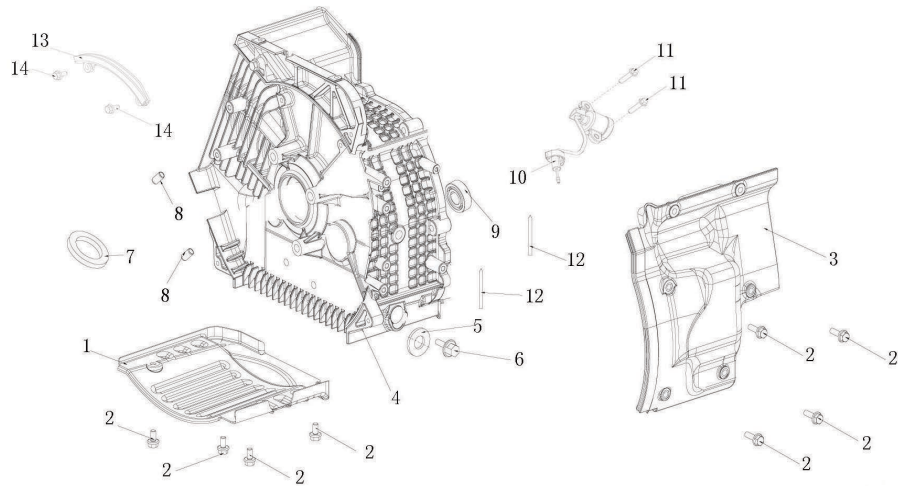


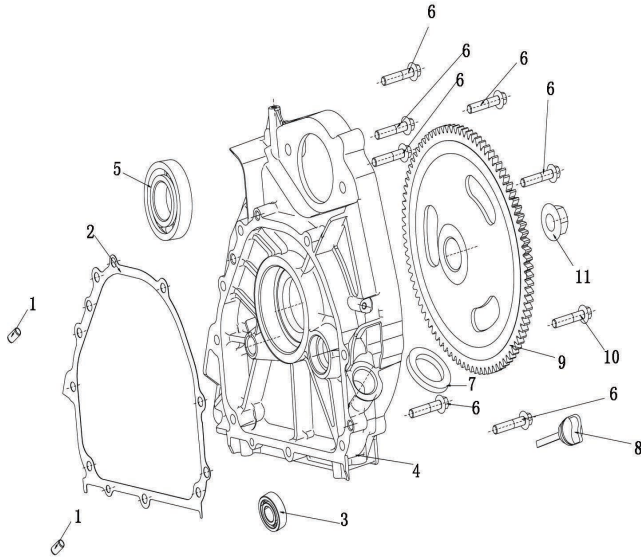
CYLINDER HEAD ASSY

Lp	Kod	Nazwa	Ilość
1	380140077-0005	Hexagon bolt with flange	8
2	160190127-0001	air deflector	1
3	160720011-0001	Cylinder Temperature Sensor	1
4	380741374-0001	Breather tube	1
5	120230190-0001	Cylinder head cover	1
6	110850032-0001	PACKING, BREATHER CHAMBER	1
7	110840040-0001	CAP, BREATHER CHAMBER	1
8	380140011-0004	Hexagon bolt with flange	4
9	120250070-0001	Gasket for cylinder head cover	1
10	140450069-0001	Valve rocker combination	2
11	140510059-0001	Valve rocker shaft	2
12	140670017-0001	Push rod	2
13	380140337-0001	Hexagon bolt with flange	4
14	270960014-0001	Spark plug	1
15	380180092-0001	Stud	2
16	120080941-0001	Cylinder head	1
17	380180099-0001	Stud	2
18	120150141-0001	Gasket for cylinder head	1
19	380600116-0001	ocation pin	2



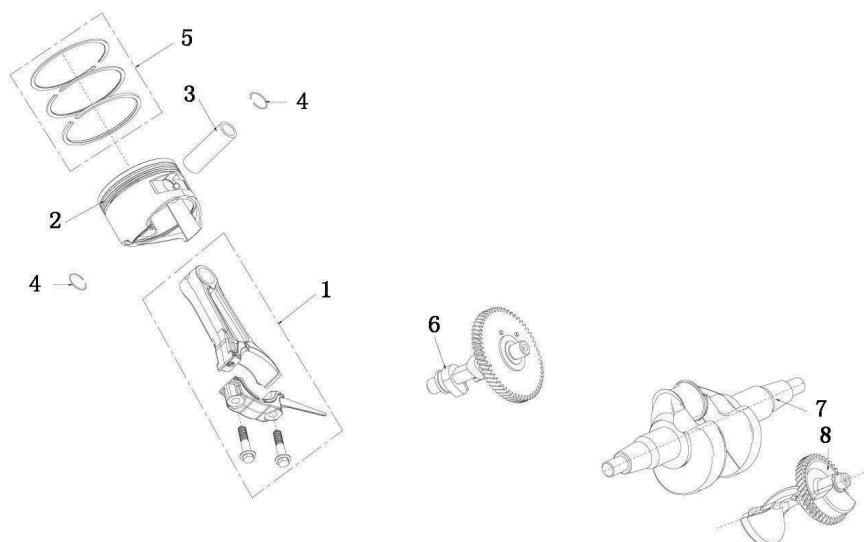
Crank case

Lp	Kod	Nazwa	Ilość
1	160200079-0001	Side plate	1
2	380140077-0005	Hexagon bolt with flange	8
3	160190128-0001	air deflector	1
4	110810406-0001	Crankcase body	1
5	380450516-0001	Flat washer	1
6	110260024-0001	Sealing plug screw	1
7	380650337-0001	Oil seal	2
8	380600117-0001	ocation pin	2
9	380630099-0001	Bearing	2
10	281850152-0001	Oil level sensor	1
11	380140013-0005	Hexagon bolt with flange	2
12	380900062-0001	Strap	2
13	110480051-0001	Pressing plate	1
14	380140013-0005	Hexagon bolt with flange	2



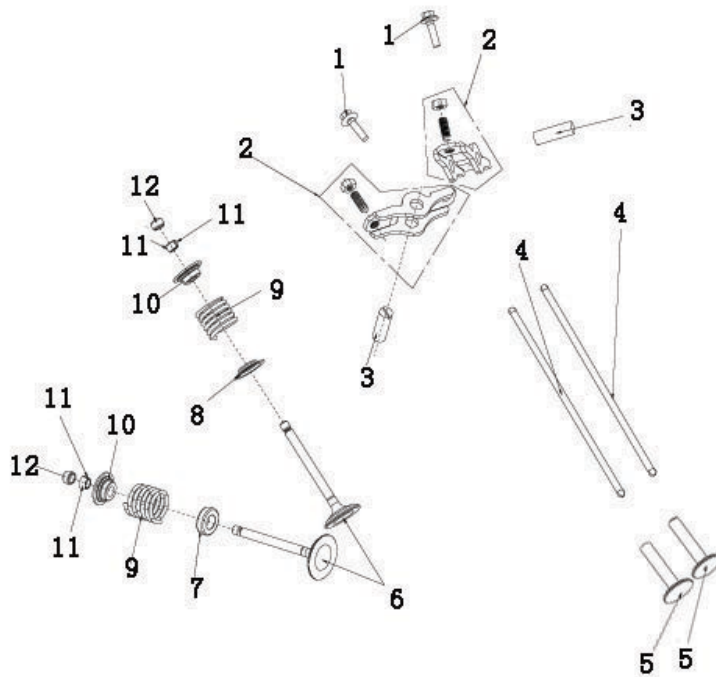
CRANKCASE COVER

Lp	Kod	Nazwa	Ilość
1	380600119-0001	ocation pin	2
2	110830073-0001	Crankcase cover gasket	1
3	380630099-0001	Bearing	1
4	110820245-0001	Crankcase cover	1
5	380630665-0001	Bearing	1
6	380140005-0006	Hexagon bolt with flange	7
7	380650337-0001	Oil seal	1
8	110690098-0008	Oil rule combination	1
9	270020428-0001	FLYWHEEL COMP	1
10	380140149-0002	Hexagon bolt with flange	1
11	380370050-0001	Hexagon nut with flange	1



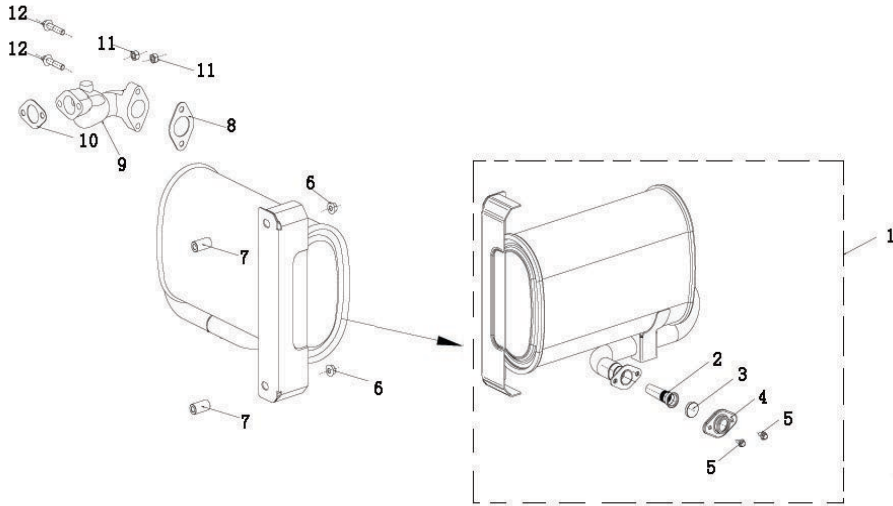
PISTON/ROD ASSY „CONNECTING

Lp	Kod	Nazwa	Ilość
1	130150049-0001	Connecting rod	1
2	130030233-0001	Piston	1
3	130060034-0001	Piston pin	1
4	380560057-0001	Steel cable baffle ring	2
5	130070281-0001	Piston ring combination	1
6	140020183-0001	Camshaft assy	1
7	130290663-0001	crankshaft	1
8	130450016-0001	Balancing shaft	1



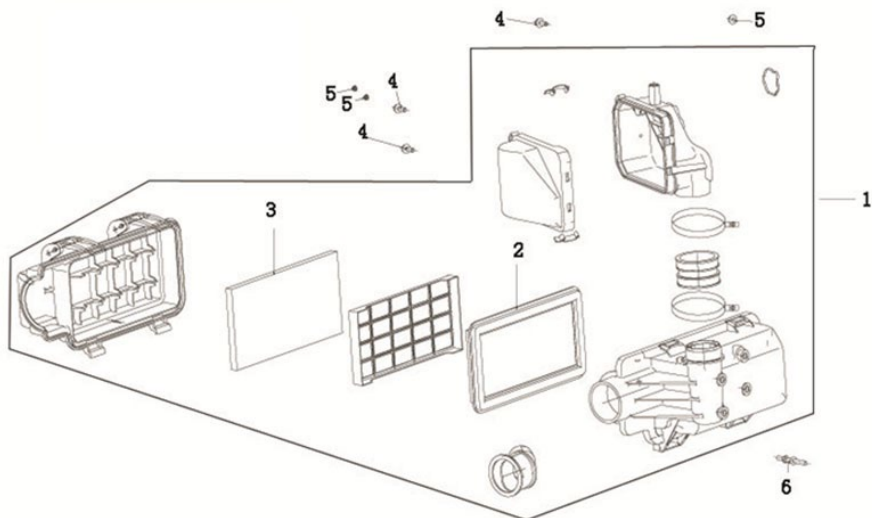
GAS DISTRIBUTION ADJUSTMNET

Lp	Kod	Nazwa	Ilość
1	380140077-0005	Hexagon bolt with flange	2
2	140450069-0001	Valve rocker combination	2
3	140510059-0001	Valve rocker shaft	2
4	140670017-0001	Push rod	2
5	140690004-0001	Lifter, Valve	2
6	500550063-0001	Valve Kit	1
7	140400012-0001	Valve oil seal	1
8	140360010-0001	Seat, valve spring	1
9	140340025-0001	Inner spring of valve	2
10	140380021-0001	Retainer, valve spring	2
11	140390015-0001	Valve locker	4
12	140320002-0001	Valve adjustment cap	2



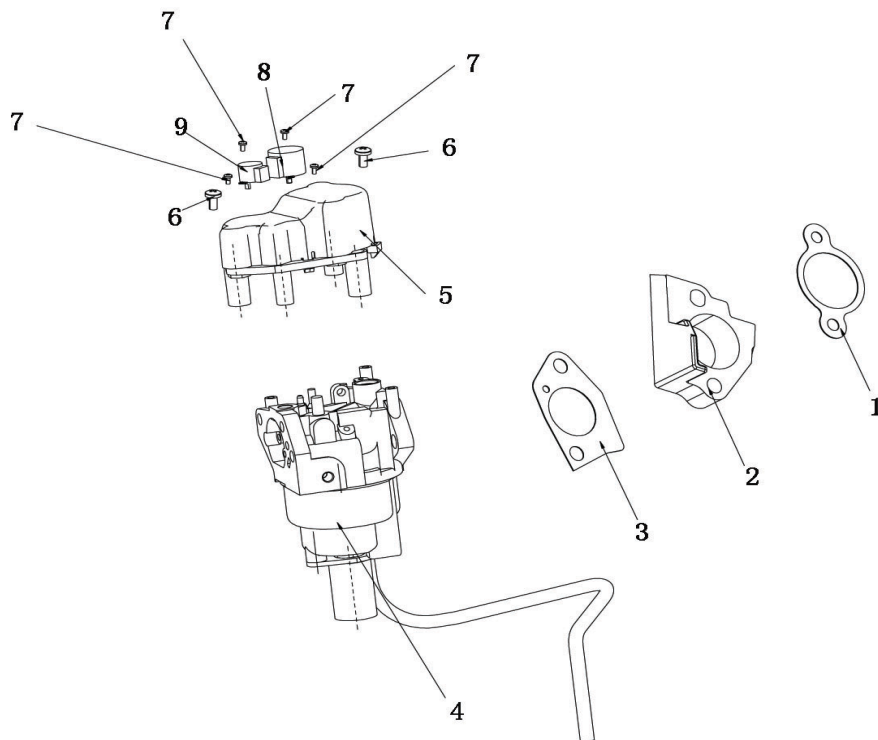
MUFFLER ASSY

Lp	Kod	Nazwa	Ilość
1	180572388-0001	Muffler	1
2	180780052-0001	Spark collector	1
3	180800021-0001	Flame screen	1
4	662930001-0001	Arrester spark maintenance cover	1
5	380140721-0001	Hexagon bolt with flange	2
6	380370007-0004	Hexagon nut with flange	2
7	380823669-0001	Bushing	2
8	180660091-0001	Muffler gasket	1
9	180590343-0001	Outlet pipe	1
10	180650005-0001	Outlet gasket	1
11	380390033-0001	Allmetal hexagon locknut	2
12	380140759-0001	Hexagon bolt with flange	2



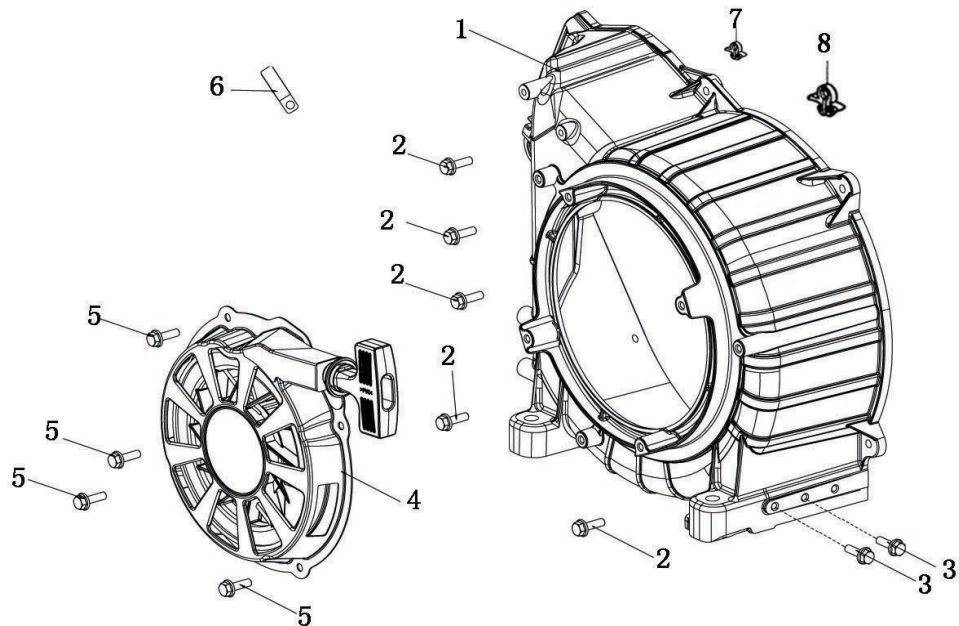
AIR CLEANER ASSY

Lp	Kod	Nazwa	Ilość
1	180021005-0001	Air filter	1
2	180100122-0001	Air filter element combination	1
3	180130334-0001	Air filter element	1
4	380140077-0005	Hexagon bolt with flange	3
5	380370048-0001	Hexagon nut with flange	3
6	380850016-0001	Stay stud	1



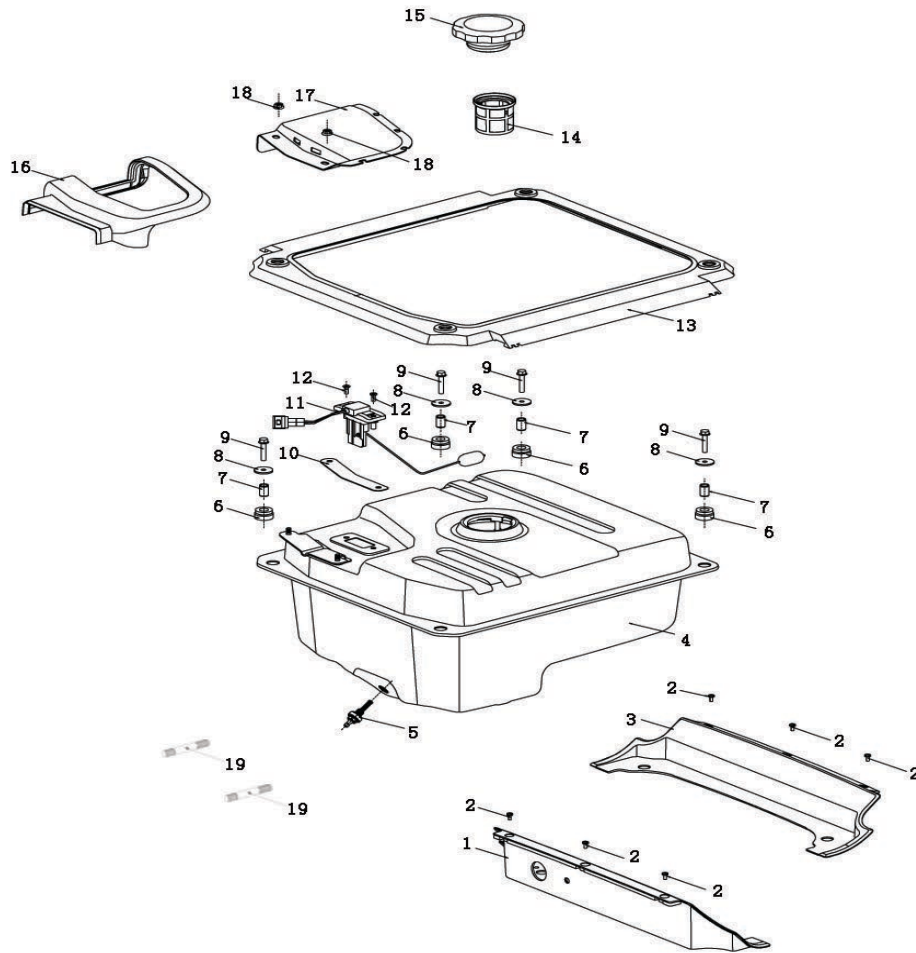
CARBURETOR ASSY

Lp	Kod	Nazwa	Ilość
1	170430217-0001	Carburetor gasket	1
2	170440116-0001	Heat insulating pad for carburetor	1
3	170430218-0001	Carburetor gasket	1
4	170022128-0001	Carburetor	1
5	660920010-0001	Mounting bracket of speed-regulated	1
6	380200046-0002	Cross recessed pan head screw	2
7	380200069-0002	Cross recessed pan head screw	4
8	660910007-0001	Stepping motor	1
9	660910003-0001	Stepping motor	1

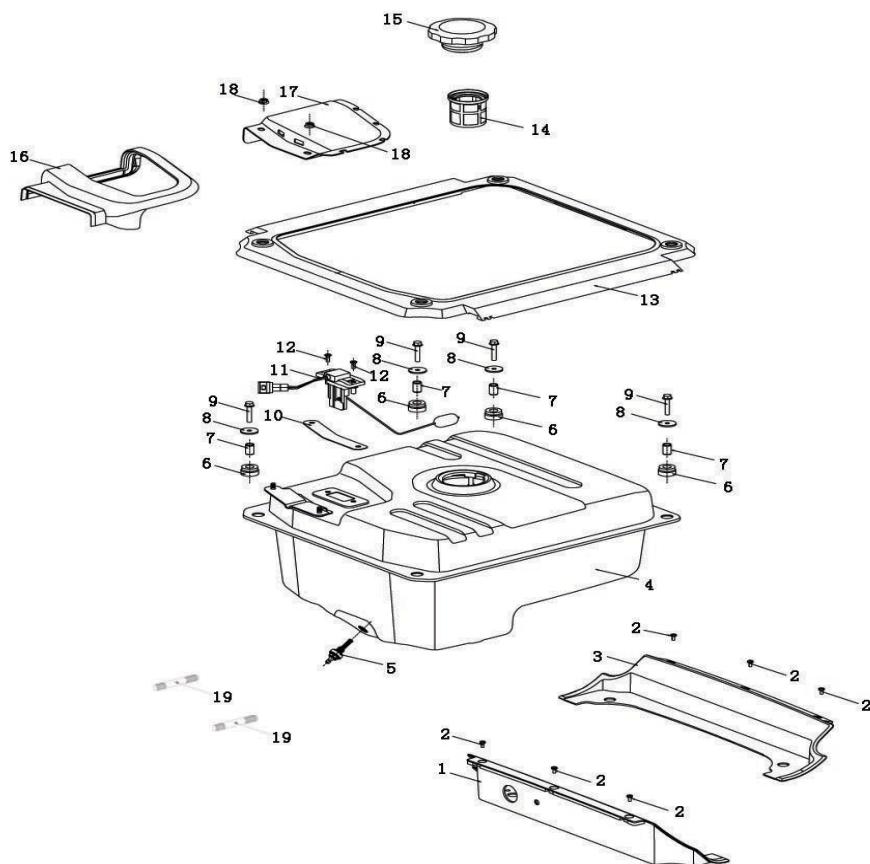


STARTER SUBASSEMBLY

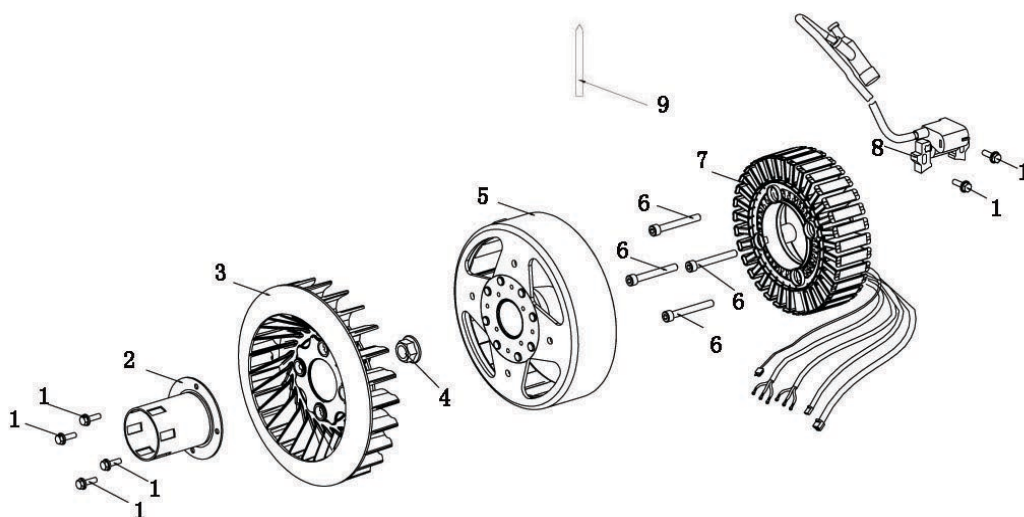
Lp	Kod	Nazwa	Ilość
1	160210171-0001	Fan cover comp.	1
2	380140077-0005	Hexagon bolt with flange	5
3	380140011-0004	Hexagon bolt with flange	2
4	193500161-0001	Manual starting components	1
5	380140037-0003	Hexagon bolt with flange	4
6	380940346-0003	Cable cleat	1
7	380930121-0001	Location wire nail	1
8	380930024-0001	Location wire nail	1



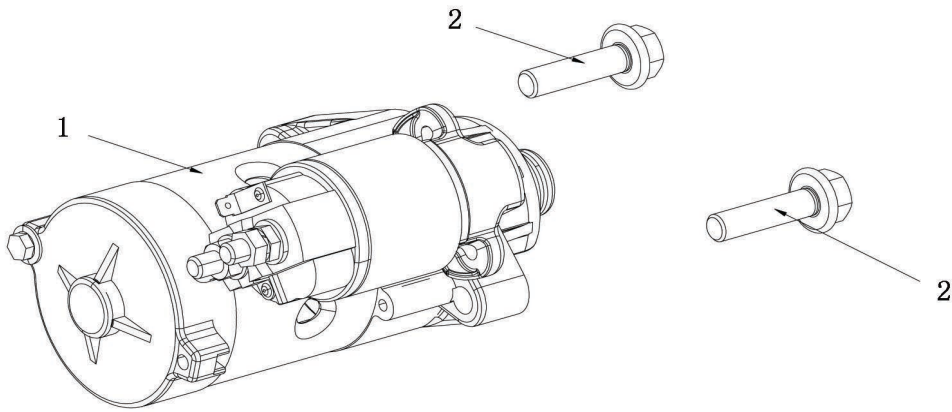
Lp	Kod	Nazwa	Ilość
1	343210045-0001	Tank decoration cover	1
2	380690017-0001	Cross small pan head screws / pad CO	6
3	343210046-0001	Tank decoration cover	1
4	170501475-0004	Tank	1
5	170660109-0001	Tank oilout	1
6	170700050-0001	Tank damping cushion	4
7	170710026-0001	Liner tube of tank damping cushion	4
8	380451268-0001	Flat washer	4
9	380140054-0003	Hexagon bolt with flange	4
10	110480052-0001	Pressing plate	1
11	281850346-0001	Oil level sensor	1
12	380220009-0004	Cross recessed countersunk head screw	2
13	380841189-0001	Seal ring	1
14	170720014-0001	Pouring orifice filter screen combinati	1



Lp	Kod	Nazwa	Ilość
15	170870134-0001	Tank cover	1
16	380841192-0001	Seal ring	1
17	662830001-0001	Fuel level sensor cover plate	1
18	380370048-0001	Hexagon nut with flange	2
19	380180205-0001	Stud	2

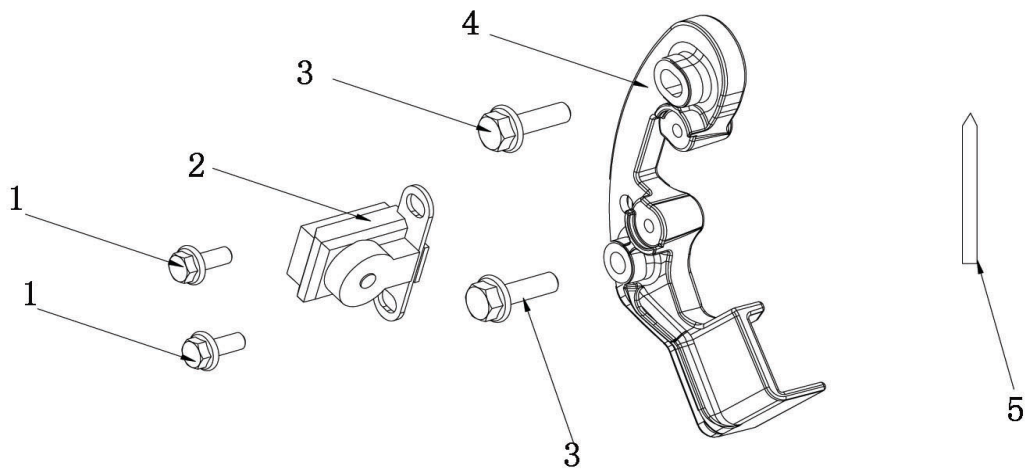


Lp	Kod	Nazwa	Ilość
1	380140077-0005	Hexagon bolt with flange	6
2	193590042-0001	Starting disc	1
3	160180047-0001	Impeller	1
4	380370050-0001	Hexagon nut with flange	1
5	660110118-0001	Motor rotor	1
6	380140149-0002	Hexagon bolt with flange	4
7	660100178-0001	Motor stator	1
8	271000293-0001	Lighter	1
9	380900062-0001	Strap	1



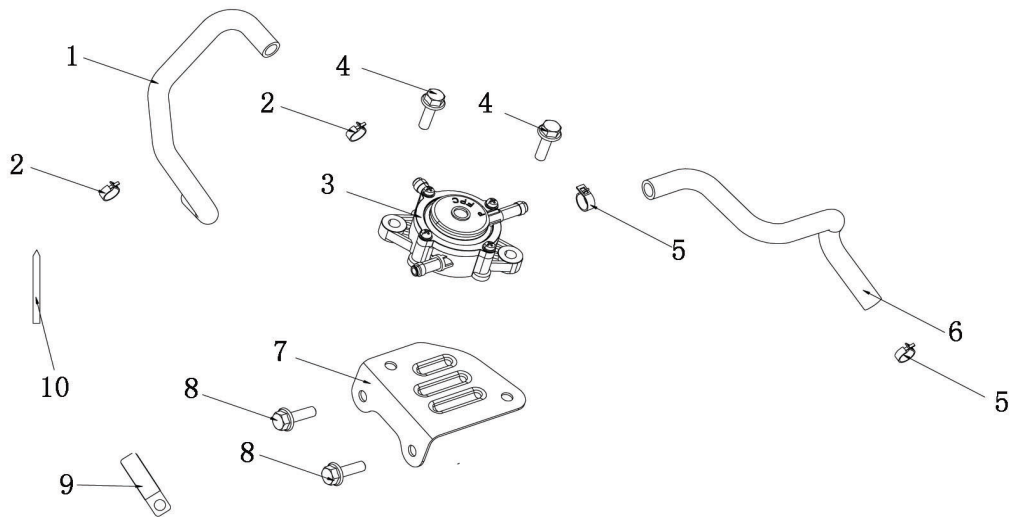
Components of starting motor

Lp	Kod	Nazwa	Ilość
1	270360153-0001	Components of starting motor	1
2	380140126-0004	Hexagon bolt with flange	2

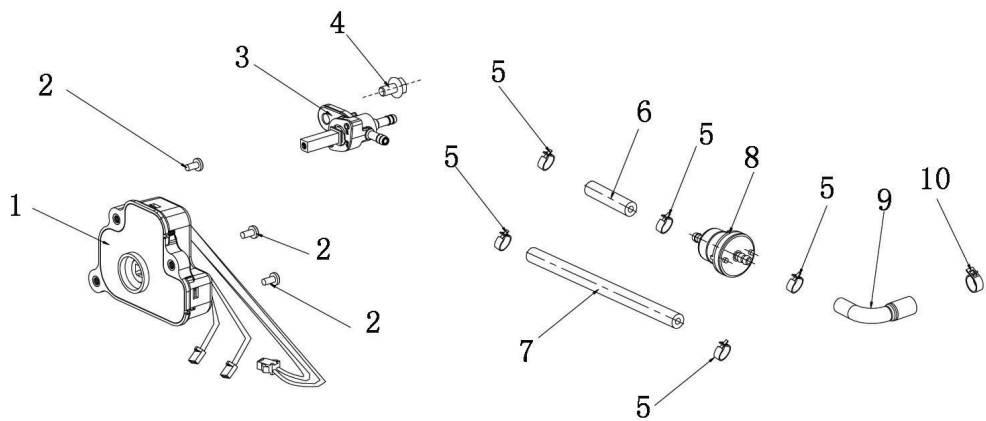


Trigger comp

Lp	Kod	Nazwa	Ilość
1	380140332-0001	Hexagon bolt with flange	2
2	270140021-0001	Trigger comp	1
3	380140103-0004	Hexagon bolt with flange	2
4	662840001-0001	Trigger bracket	1
5	380900062-0001	Strap	1

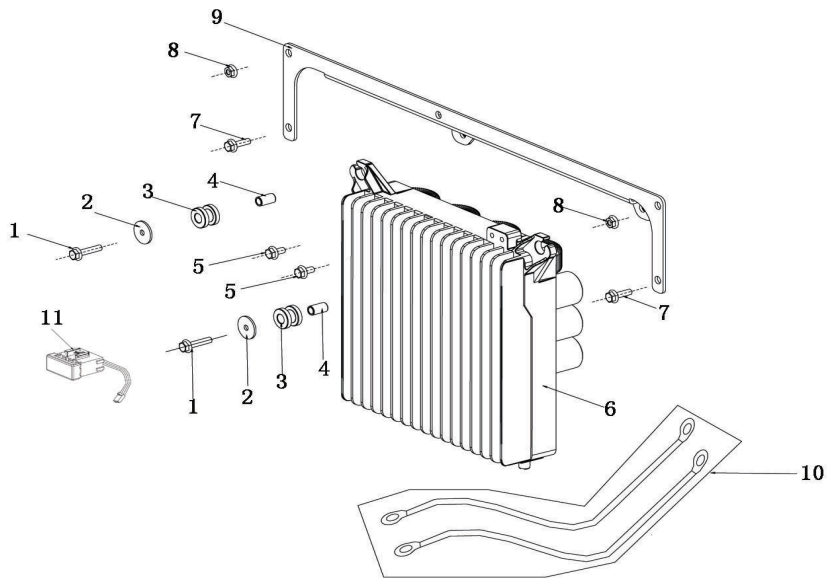


Lp	Kod	Nazwa	Ilość
1	380751067-0001	Oil tube	1
2	380960120-0004	Clip combination	2
3	170460031-0001	Gasoline pump	1
4	380140013-0005	Hexagon bolt with flange	2
5	380960155-0002	Clip combination	2
6	380741375-0001	Breather tube	1
7	170470020-0001	Gasoline pump bracket	1
8	380140037-0003	Hexagon bolt with flange	2
9	380940346-0003	Cable cleat	1
10	380900062-0001	Strap	1

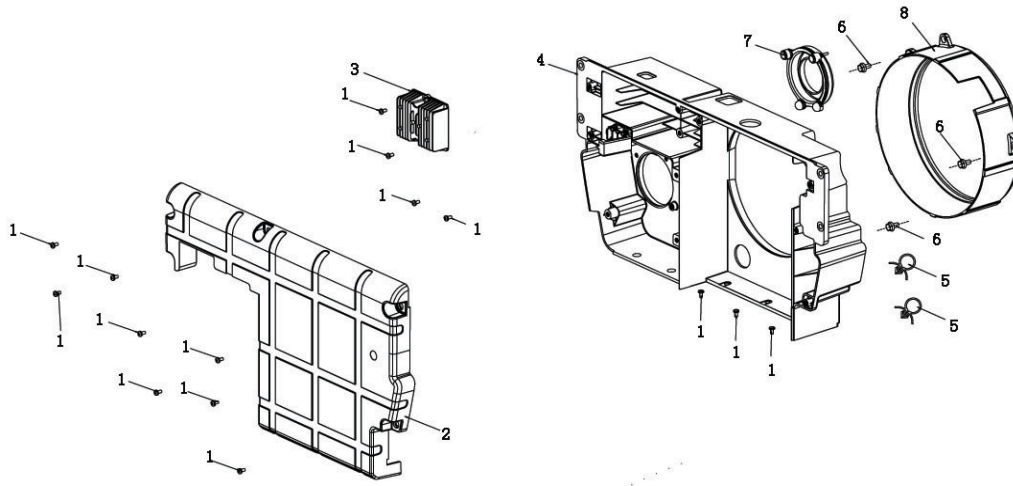


Combination Switch

Lp	Kod	Nazwa	Ilość
1	661920020-0001	Combination Switch	1
2	380690017-0001	Cross small pan head screws / pad CO	3
3	170980135-0001	Components of oil switch	1
4	380140011-0004	Hexagon bolt with flange	1
5	380960170-0002	Clip combination	5
6	380750575-0001	Oil tube	1
7	380750657-0001	Oil tube	1
8	170010016-0001	Fuel filter	1
9	380751072-0001	Oil tube	1
10	380960155-0002	Clip combination	1

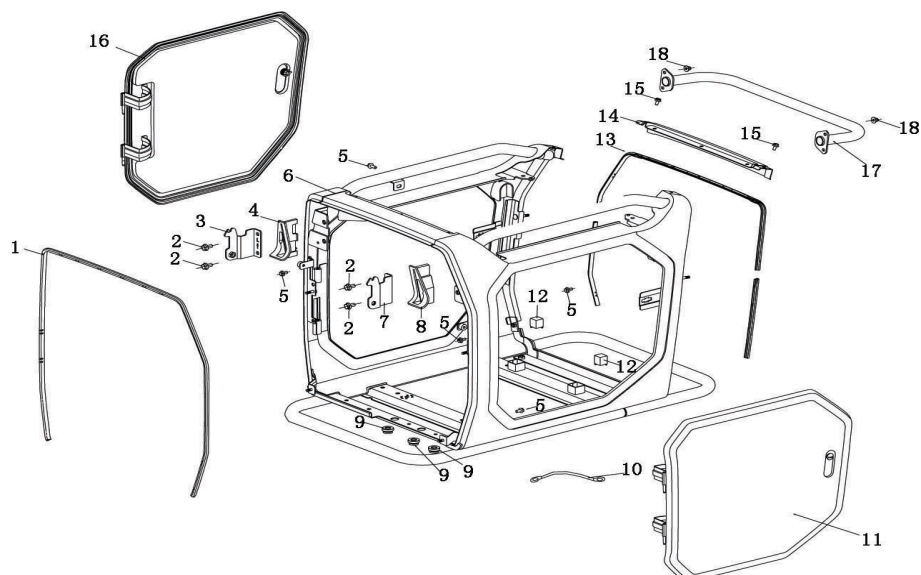


Lp	Kod	Nazwa	Ilość
1	380140024-0006	Hexagon bolt with flange	2
2	380450444-0002	Flat washer	2
3	290340061-0001	Cushioning rubber	2
4	380823668-0001	Bushing	2
5	380140011-0004	Hexagon bolt with flange	2
6	660900112-0001	Inverter assy	1
7	380140077-0005	Hexagon bolt with flange	2
8	380370048-0001	Hexagon nut with flange	2
9	661930012-0001	inverter mounting bracket	1
10	272980022-0001	Earth wire of general-purpose engine	1
11	272490024-0001	Fuse box combination	1



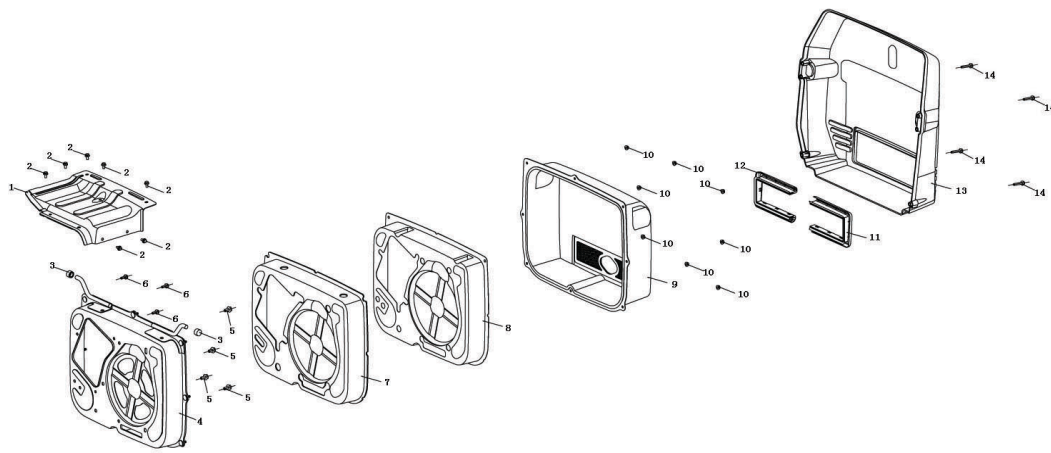
wind scooper

Lp	Kod	Nazwa	Ilość
1	380690017-0001	Cross small pan head screws / pad CO	15
2	661880013-0001	wind scooper	1
3	272900042-0001	Self control constant current charger	1
4	661880014-0001	wind scooper	1
5	380930027-0001	Location wire nail	2
6	380140013-0005	Hexagon bolt with flange	3
7	380841188-0001	Seal ring	1
8	661880015-0001	wind scooper	1



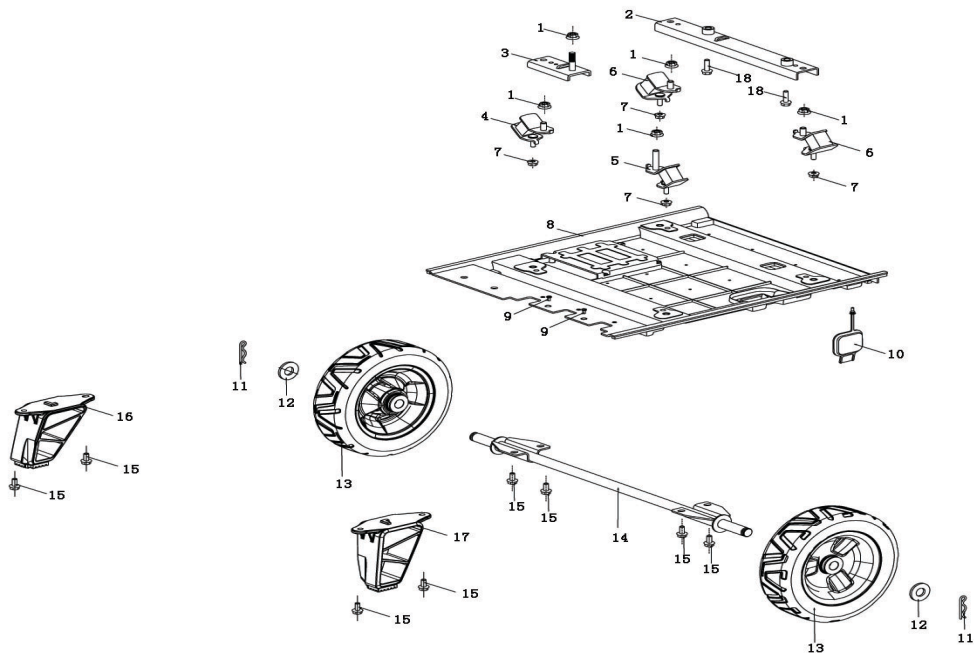
Components of frame

Lp	Kod	Nazwa	Ilość
1	380841183-0001	Seal ring	1
2	380140040-0005	Hexagon bolt with flange	2
3	320420043-0001	Lever connecting bracket	1
4	380841193-0001	Seal ring	1
5	380140011-0004	Hexagon bolt with flange	5
6	300720631-0001	Components of frame	1
7	320420044-0001	Lever connecting bracket	1
8	380841194-0001	Seal ring	1
9	290340059-0001	Cushioning rubber	3
10	272980023-0001	Earth wire of general-purpose engine	1
11	661870012-0002	Exterior Cover(right)	1
12	290340062-0001	Cushioning rubber	2
13	380841184-0001	Seal ring	1
14	300730054-0001	Frame girder	1
15	380190150-0004	Socket head screw	2
16	661860013-0002	Exterior Cover(left)	1
17	320400085-0001	Lever combination	1
18	380330054-0002	Cap nut	2



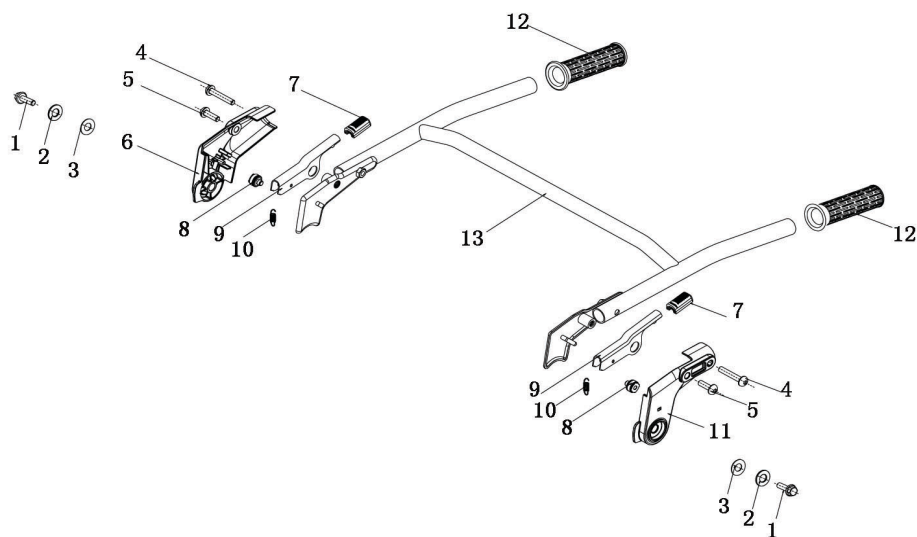
Muffler guard shield

Lp	Kod	Nazwa	Ilość
1	182000049-0001	Muffler reinforcement plate	1
2	380140209-0001	Hexagon bolt with flange	7
3	290340060-0001	Cushioning rubber	2
4	180960227-0001	Muffler guard shield	1
5	380140009-0004	Hexagon bolt with flange	4
6	380140013-0005	Hexagon bolt with flange	3
7	182190006-0001	Heat insulation cotton (Glass fiber)	1
8	182090014-0001	Muffler heat insulating plate	1
9	180960228-0001	Muffler guard shield	1
10	380370048-0001	Hexagon nut with flange	8
11	380841190-0001	Seal ring	1
12	380841191-0001	Seal ring	1
13	303060010-0002	Frame guard shield	1
14	380140365-0002	Hexagon bolt with flange	4



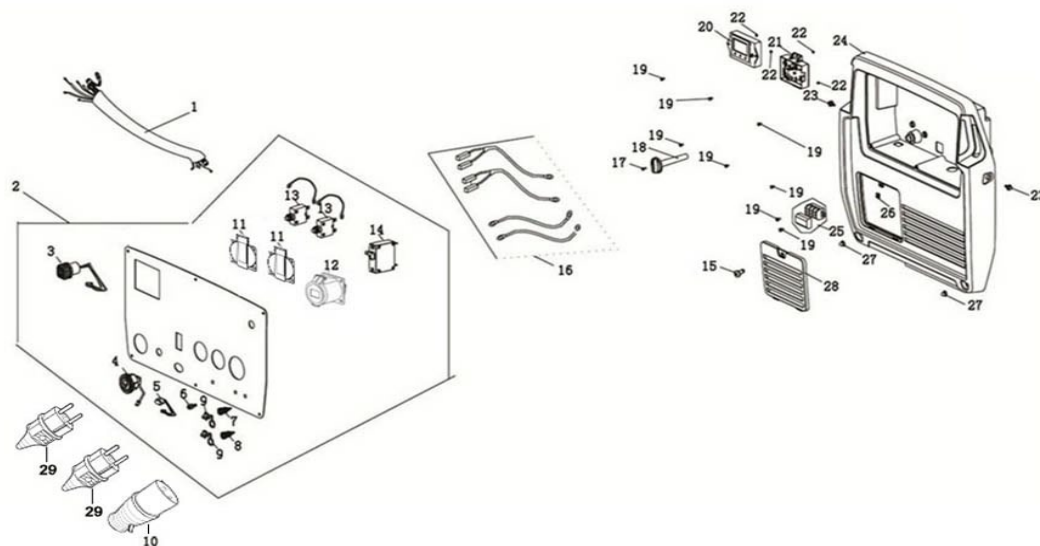
Components of supporting wheel

Lp	Kod	Nazwa	Ilość
1	380370026-0001	Hexagon nut with flange	5
2	341950031-0001	Engine Support plate	1
3	341950030-0001	Engine Support plate	1
4	300780041-0001	Machine buffering seat	1
5	300780042-0001	Machine buffering seat	1
6	300780040-0001	Machine buffering seat	2
7	380370007-0004	Hexagon nut with flange	4
8	303240009-0001	FRAME COMP Backplane	1
9	380690017-0001	Cross small pan head screws / pad CO	2
10	662690002-0001	Oil releasing rubbe	1
11	381350015-0001	Pin clip	2
12	380451231-0001	Flat washer	2
13	660690063-0001	Components of supporting wheel	2
14	660730071-0001	Machine set supporting wheel shaft	1
15	380140040-0005	Hexagon bolt with flange	8
16	300800054-0001	Bracket of frame shock absorbing seat	1
17	300800053-0001	Bracket of frame shock absorbing seat	1
18	380140125-0002	Hexagon bolt with flange	2



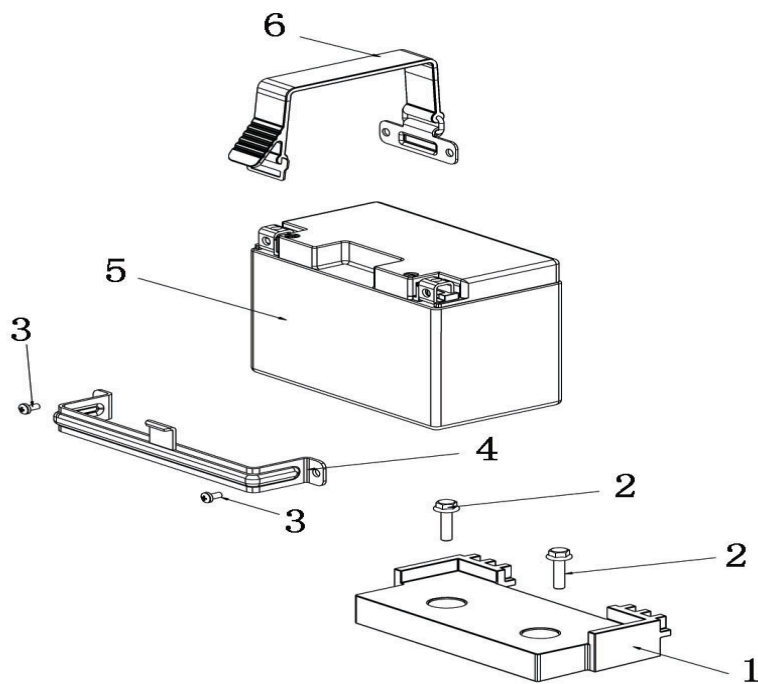
Lever combination

Lp	Kod	Nazwa	Ilość
1	380100056-0001	Hex head flange bolt axial	2
2	380450824-0001	Flat washer	2
3	380510011-0002	Washer	2
4	380190506-0001	Socket head screw	2
5	380190116-0002	Socket head screw	2
6	320050116-0001	Handlebar Connecting seat	1
7	320180285-0001	Lever Rubber	2
8	320750024-0001	Lever location block	2
9	192530001-0001	Locking handle	2
10	381140628-0001	Tension spring	2
11	320050117-0001	Handlebar Connecting seat	1
12	320180206-0001	Lever Rubber	2
13	320400086-0001	Lever combination	1



Cotral Panel Assy

Lp	Kod	Nazwa	Ilość
1	272040185-0001	Control panel harness	1
2	271852711-0002	Components of control panel	1
3	284700010-0001	USB/AUX	1
4	271810066-0001	Start control switch	1
5	173400004-0001	Idle switch	1
6	272030008-0001	Earth terminal combination	1
7	381070013-0001	Outlet	1
8	381070013-0002	Outlet	1
9	273330021-0001	tarpaulin	2
10	271880008-0001	Power plug combination	1
11	271890001-0001	Power socket combination	2
12	271890067-0001	Power socket combination	1
13	271290055-0001	Overcurrent protector	2
14	271290139-0001	Overcurrent protector	1
15	381810002-0001	Slotted pan head screw with waisted s	1
16	271280206-0001	Connecting wire	1
17	381210035-0001	Cross recessed small pan head screw	1
18	173260011-0001	Oil switch knob	1
19	380690017-0001	Cross small pan head screws / pad CO	8
20	273140013-0001	Multifunctional indicating meter	1
21	271810072-0001	Start control switch	1
22	380370047-0003	Hexagon nut with flange	4
23	380100055-0001	Hex head flange bolt axial	2
24	271970038-0002	Panel bed	1
25	271240004-0001	cable connection panel	1
26	380420041-0001	Clip nut	1
27	380330054-0002	Cap nut	4
28	662460003-0002	battery maintainance cover	1
29	271880005-0001	Power plug combination	2



Storage battery

Lp	Kod	Nazwa	Ilość
1	272320080-0001	Battery Cushion	1
2	380140103-0004	Hexagon bolt with flange	2
3	380690017-0001	Cross small pan head screws / pad CO	2
4	339170004-0001	Battery baffle	1
5	271060462-0001	Storage battery	1
6	380900284-0001	Strap	1