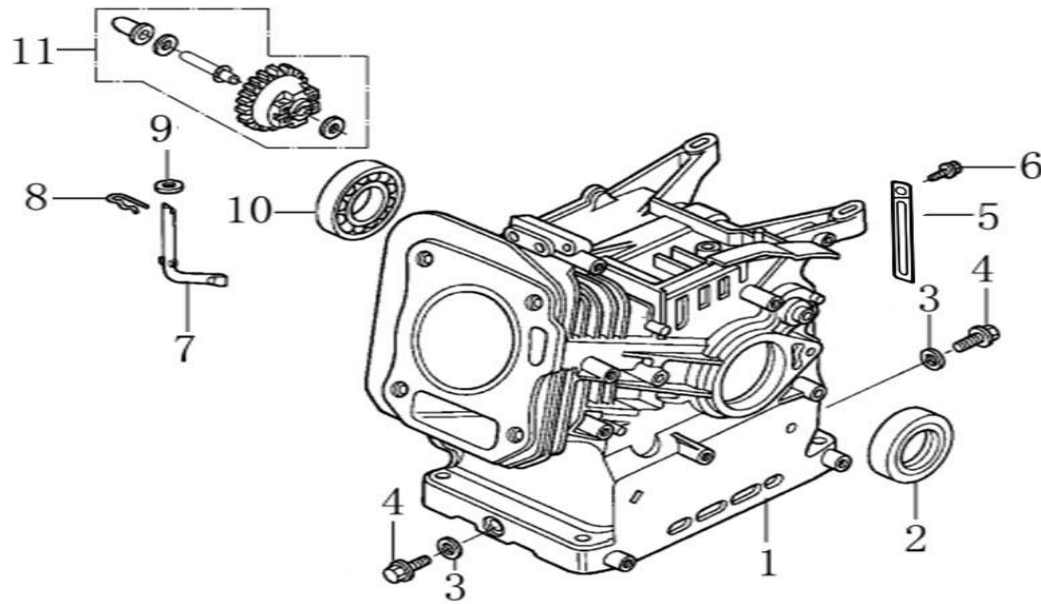


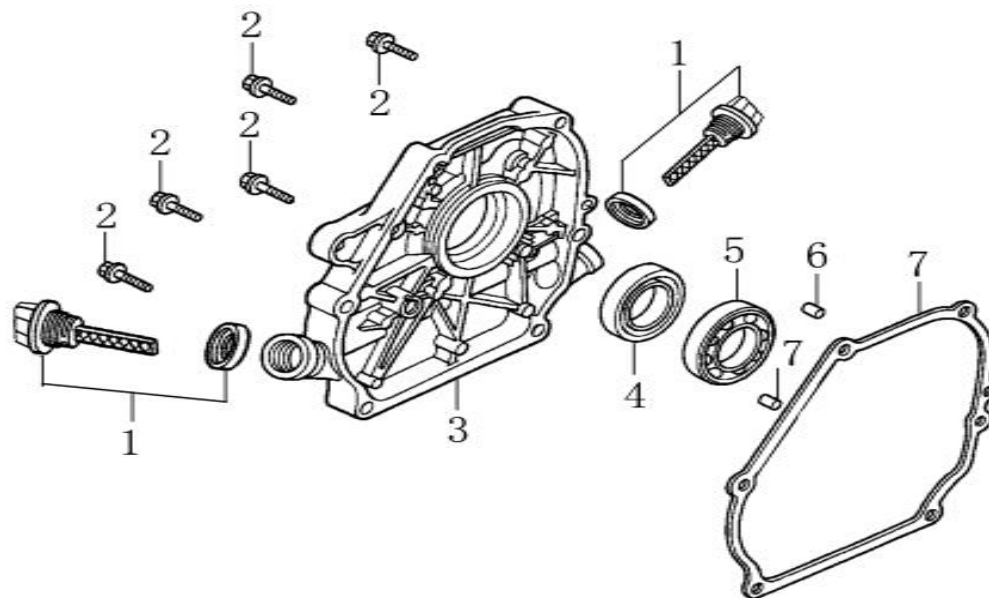
CYLINDER HEAD

No.	Part No.	Description	Req. QTY
1	120080276-0001	Cylinder head	1
2	380180093-0001	Stud	2
3	380600117-0001	ocation pin	2
4	120150144-0001	Gasket for cylinder head	1
5	380180098-0001	Stud	2
6	270960014-0001	Spark plug	1
7	380140336-0001	Hexagon bolt with flange	4
8	120250013-0001	Gasket for cylinder head cover	1
9	120220008-0001	Cylinder head cover assy	1
10	380140215-0003	Hexagon bolt with flange	4



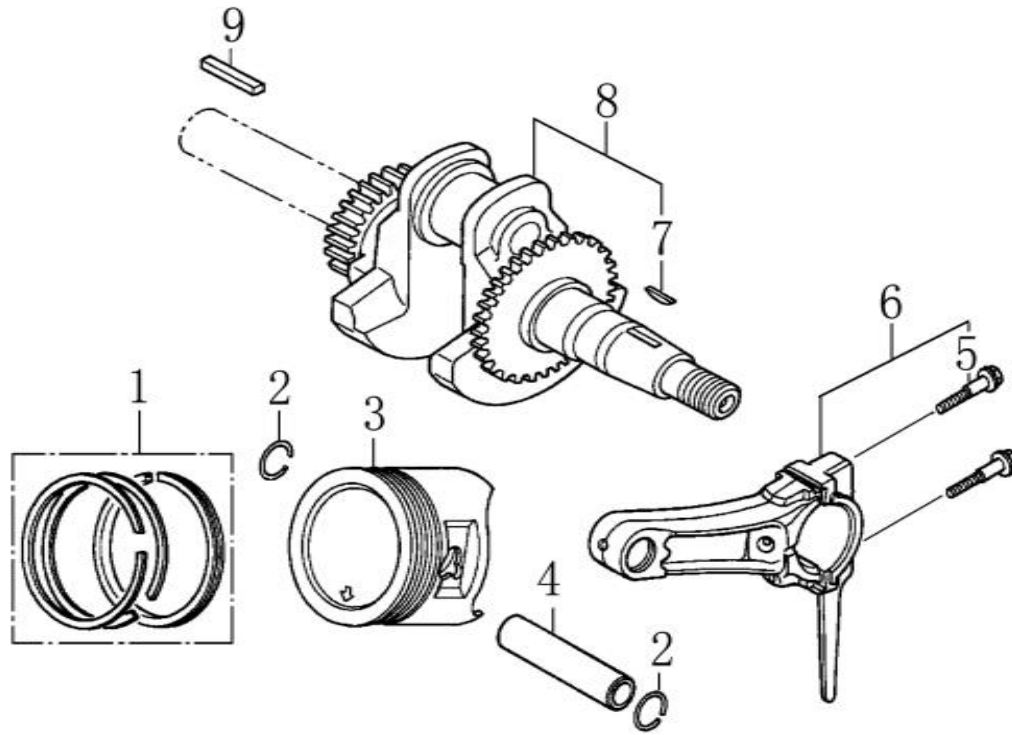
CRANK CASE

No.	Part No.	Description	Req. QTY
1	110810007-0001	Crankcase body	1
2	380650347-0001	Oil seal	1
3	380450514-0001	Flat washer	2
4	110260025-0001	Sealing plug screw	2
5	380940346-0003	Cable cleat	1
6	380140011-0004	BOLT , FLANGE	1
7	171630001-0001	Speed regulating arm	1
8	381350004-0001	Pin clip	1
9	380450531-0001	Flat washer	1
10	380630137-0002	Bearing	1
11	171750002-0001	Components of governor gear	1



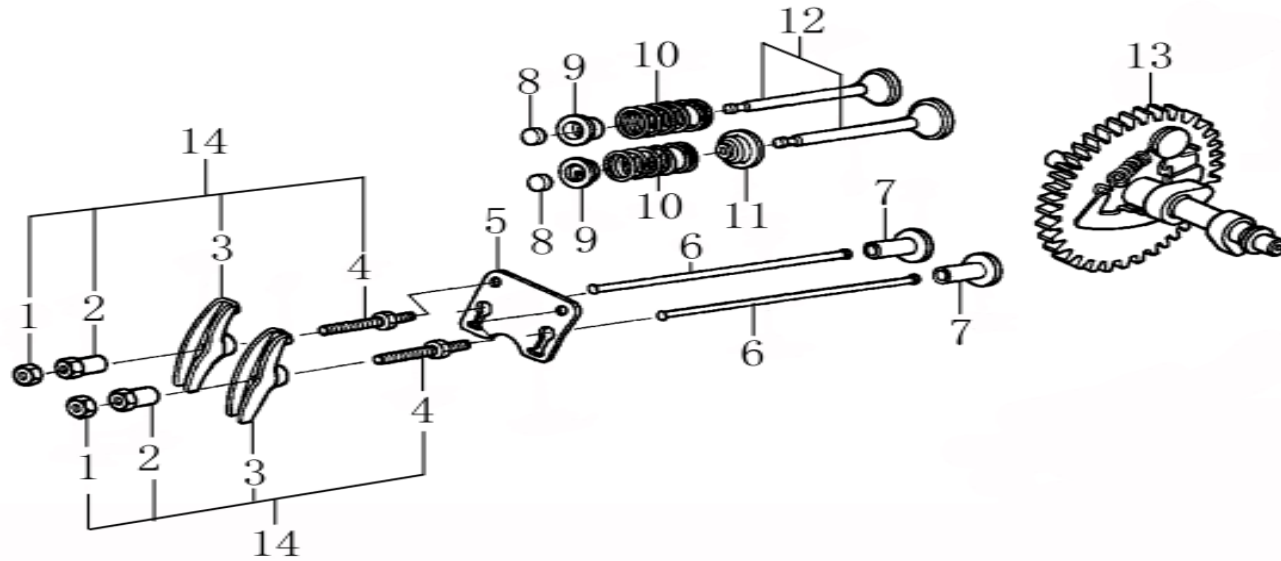
CRANK CASE COVER

No.	Part No.	Description	Req. QTY
1	110690096-0004	Oil rule combination	2
2	380140028-0004	Hexagon bolt with flange	6
3	110820080-0001	Crankcase cover	1
4	380650347-0001	Oil seal	1
5	380630137-0002	Bearing	1
6	380600120-0001	ocation pin	2
7	110830048-0001	Crankcase cover gasket	1



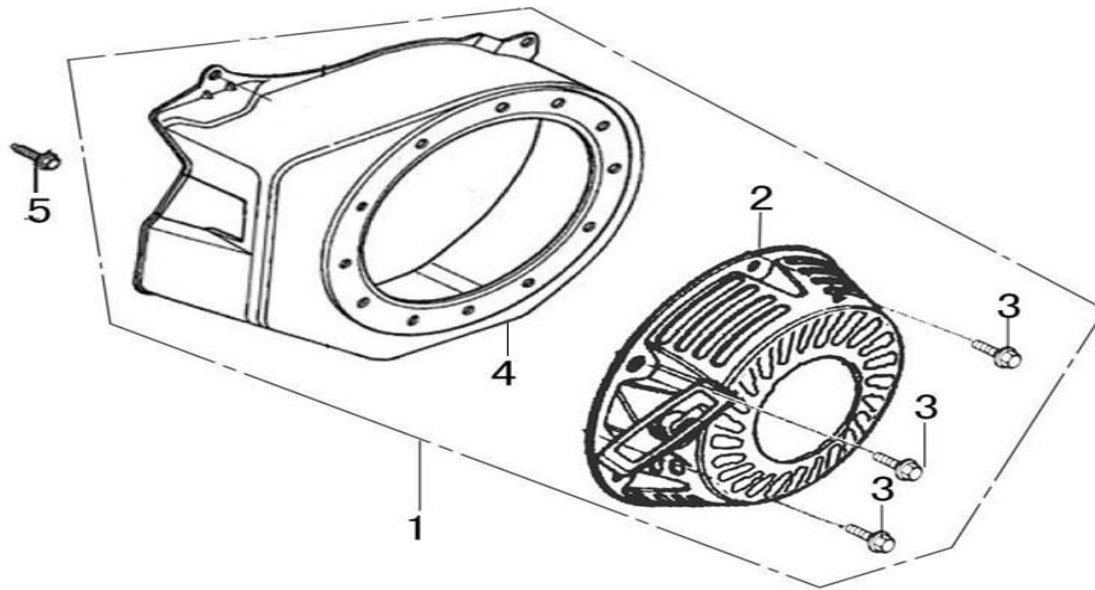
CRANKSHAFT/PISTON

No.	Part No.	Description	Req. QTY
1	130070168-0001	Piston ring combination	1
2	380560056-0001	Steel cable baffle ring	2
3	130030188-0001	Piston	1
4	130060031-0001	Piston pin	1
5	130180001-0001	Connecting rod bolt	2
6	130150039-0001	Connecting rod	1
7	380620050-0001	Key	1
8	130290049-0002	crankshaft	1



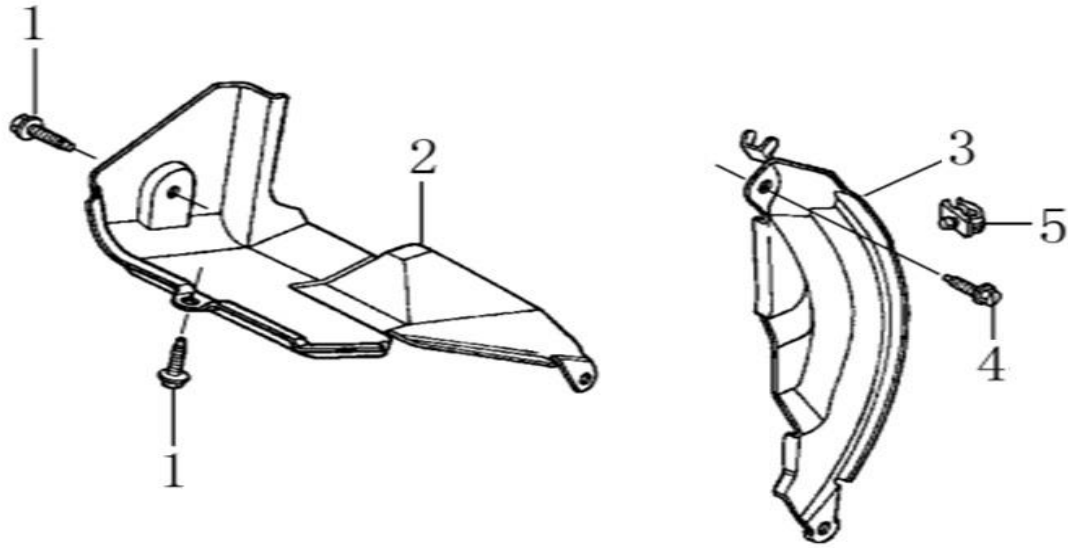
GAS DISTRIBUTION ADJUSTMENT

No.	Part No.	Description	Req. QTY
1	140470001-0001	Valve lock nut	2
2	140490012-0001	Adjustable nut of valve	2
3	140460030-0001	Valve rocker	2
4	140480012-0001	Adjustable bolt of valve	2
5	140710001-0001	Plate, push rod guide	1
6	140670004-0001	Push rod	2
7	140690003-0001	Lifter, Valve	2
8	140320001-0001	Valve adjustment cap	2
9	140380068-0001	Retainer, valve spring	2
10	140340022-0001	Inner spring of valve	2
11	140400011-0001	Valve oil seal	1
12	500550069-0001	Valve Kit	1
13	140020089-0001	Camshaft assy	1
14	140450022-0001	Valve rocker combination	2



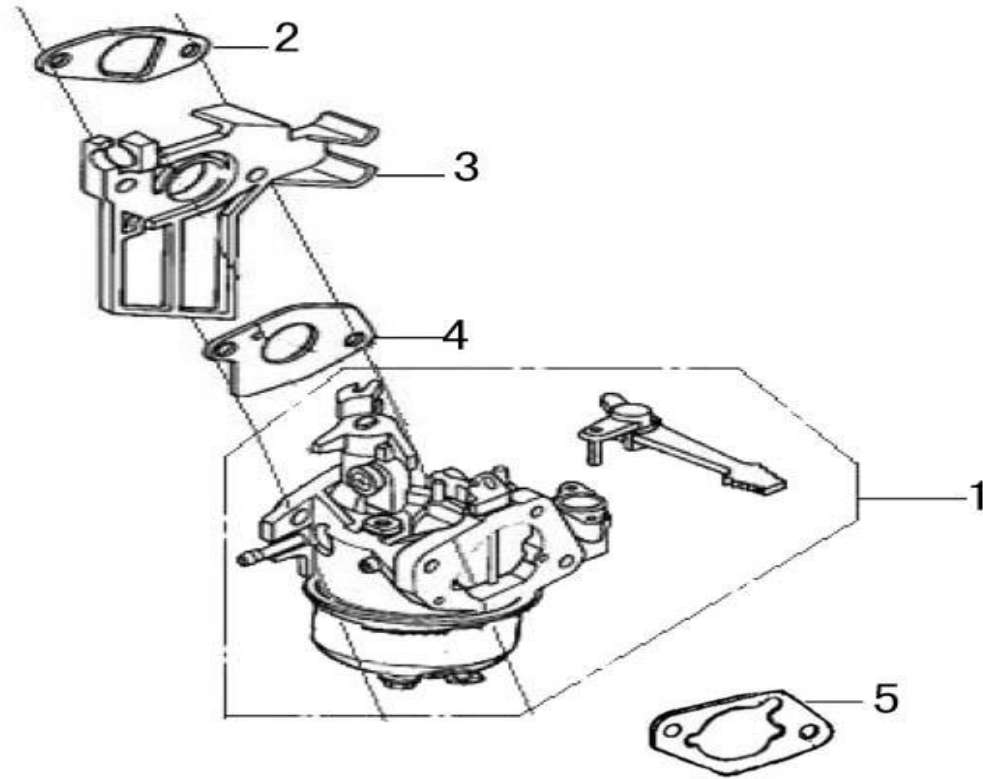
STARTER SUBASSEMBLY

No.	Part No.	Description	Req. QTY
1	193490016-0001	Manual starting assembly	1
2	193500011-0001	Manual starting components	1
3	380140531-0001	Hexagon bolt with flange	3
4	160210006-0005	Fan cover comp.	1
5	380140011-0004	Hexagon bolt with flange	4



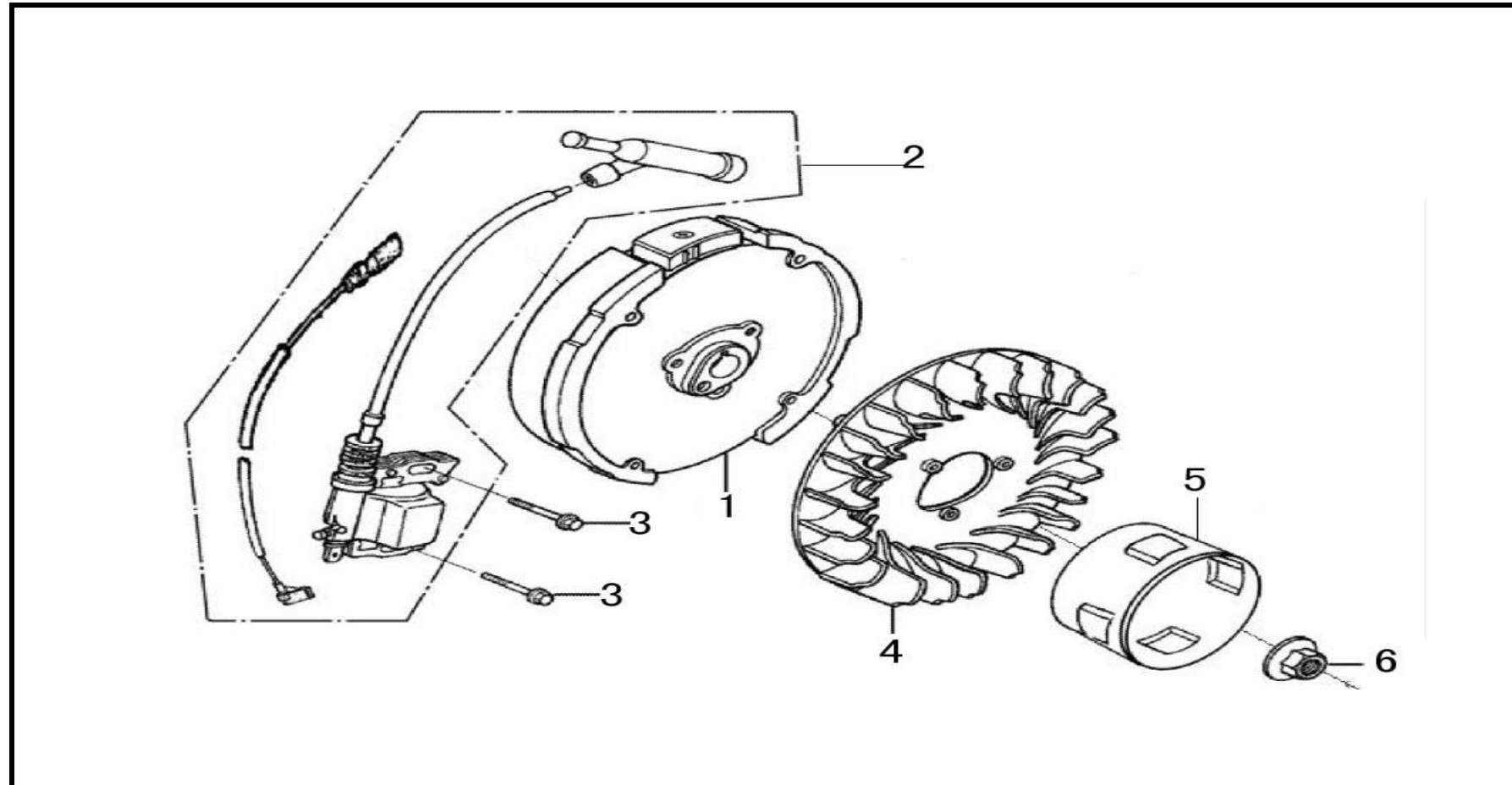
DIVERSION ASSY

No.	Part No.	Description	Req. QTY
1	380140089-0003	Hexagon bolt with flange	2
2	160190009-0001	air deflector	1
3	160200012-0001	Side plate	1
4	380140003-0005	Hexagon bolt with flange	1



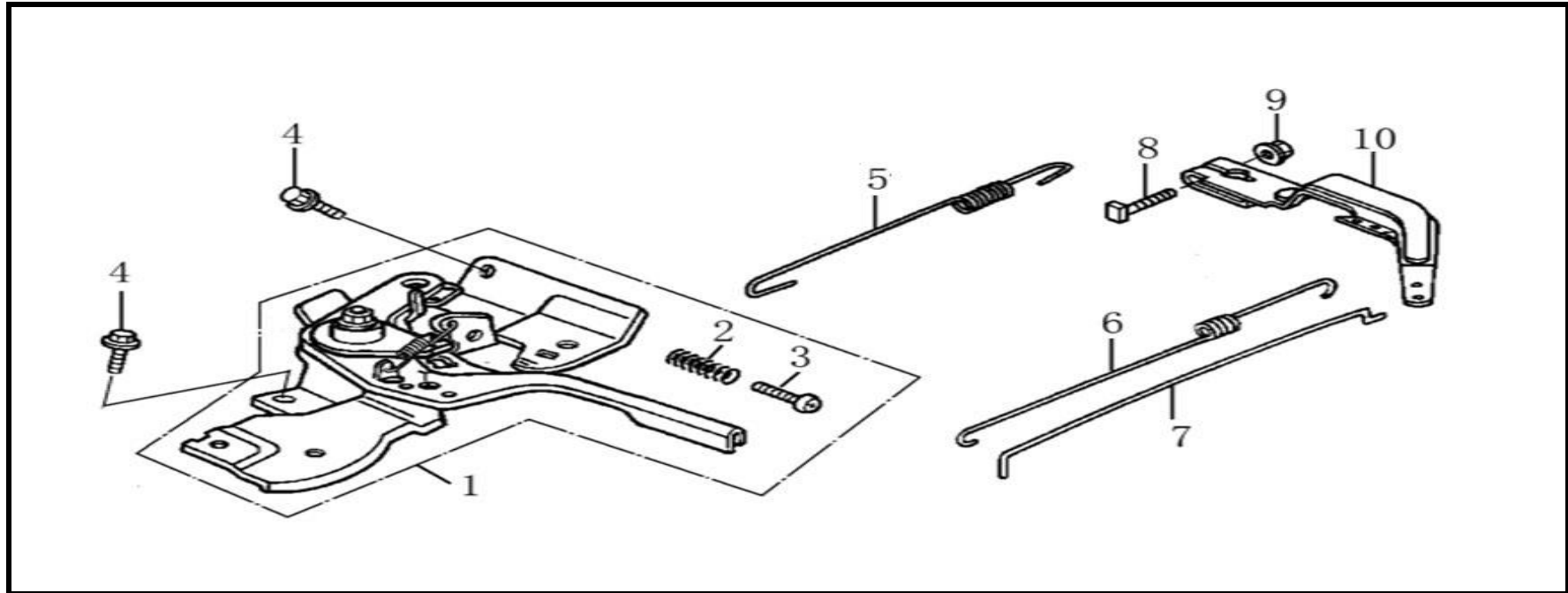
CARBURETOR

No.	Part No.	Description	Req. QTY
1	170022231-0001	Carburetor	1
2	170430139-0001	Carburetor gasket	1
3	170440121-0001	Heat insulating pad for carburetor	1
4	170430138-0001	Carburetor gasket	1
5	170430065-0001	Carburetor gasket	1



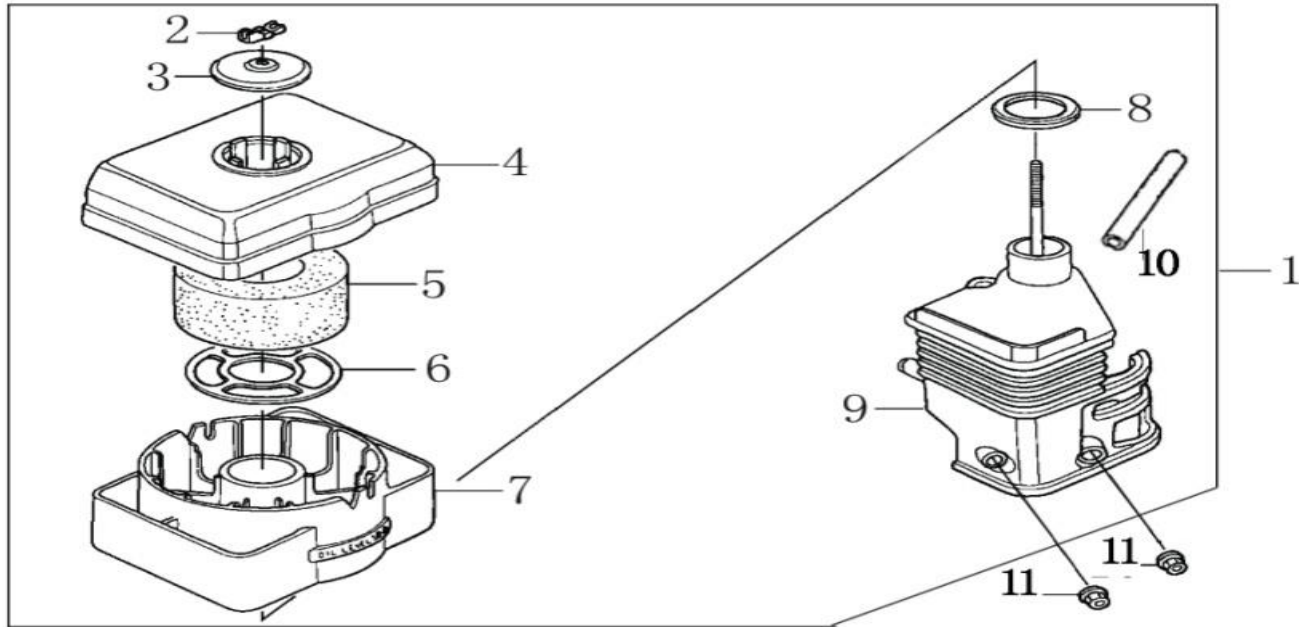
FLYWHEEL/COIL ASSY

No.	Part No.	Description	Req. QTY
1	270020097-0001	FLYWHEEL COMP	1
2	270920476-0001	COIL ASSY.,IGNNTION	1
3	380140102-0004	Hexagon bolt with flange	2
4	160180007-0001	Impeller	1
5	193590005-0001	Starting disc	1
6	380370051-0001	Hexagon nut with flange	1



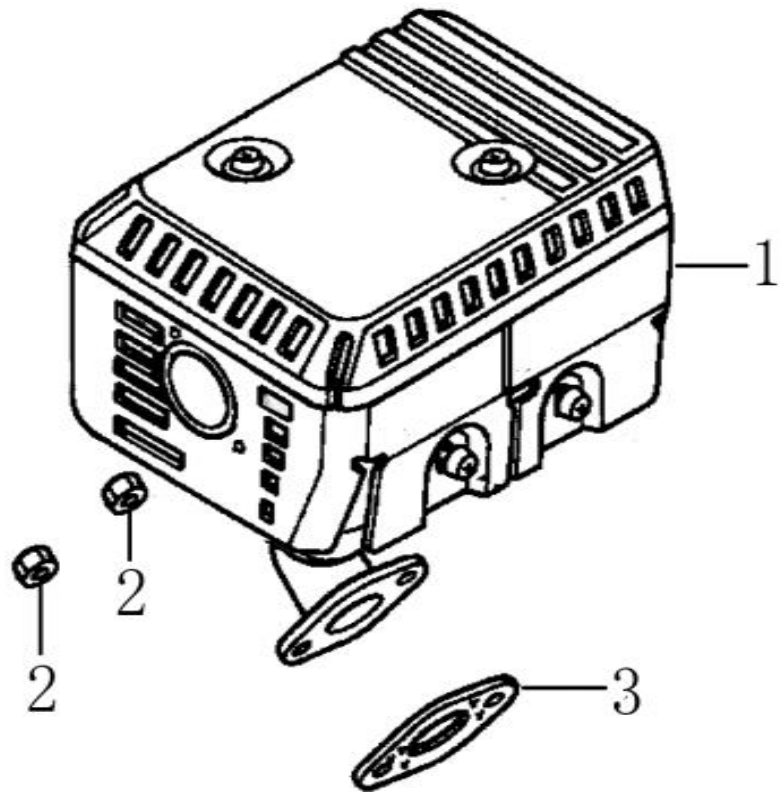
CONTROL SYSTEM

No.	Part No.	Description	Req. QTY
1	171680150-0001	Throttle handle combination	1
2	171660001-0001	speed regulating Limit spring	1
3	380200017-0005	Cross recessed pan head screw	1
4	380140011-0004	Hexagon bolt with flange	2
5	171600037-0002	Governing spring	1
6	171610002-0001	throttle return spring	1
7	171590004-0001	Throttle rod	1
8	380250002-0001	Square head set screw with flat point	1
9	380370066-0001	Hexagon nut with flange	1
10	171620001-0003	Speed regulating bracket	1



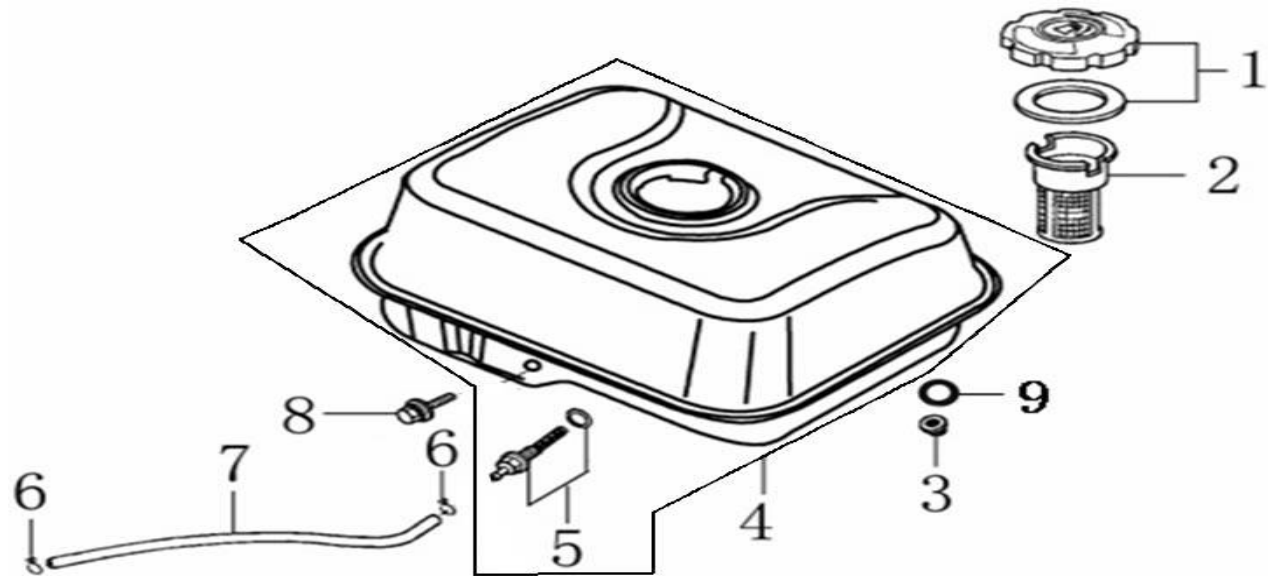
AIR CLEANER

No.	Part No.	Description	Req. QTY
1	180020320-0002	Air filter	1
2	380440002-0002	Butterfly nut	1
3	180220016-0001	Air filter pressing plate	1
4	180070172-0001	Air filter casing cover	1
5	180100041-0001	Air filter element combination	1
6	183010001-0001	Air filter element Support plate	1
7	180330040-0001	Support plate body of filter element	1
8	380840437-0001	Seal ring	1
9	180280030-0001	Air filter seat	1
10	380740471-0001	Breather tube	1
11	380370048-0001	Hexagon nut with flange	2



MUFFLER

No.	Part No.	Description	Req. QTY
1	180570798-0001	Muffler	1
2	380340005-0005	Hexagon nut	2
3	180650065-0001	Outlet gasket	1



FUEL TANK

No.	Part No.	Description	Req. QTY
1	170870039-0001	Tank cover	1
2	170720001-0001	Pouring orifice filter screen combination	1
3	380370048-0001	Hexagon nut with flange	2
4	170500522-0052	Tank	1
5	170660077-0001	Tank oilout	1
6	380950188-0001	Pipe clip	4
7	380750180-0002	Pipe fuel	1
8	380140102-0004	Hexagon bolt with flange	1
9	380920086-0001	rubber flat gasket	2