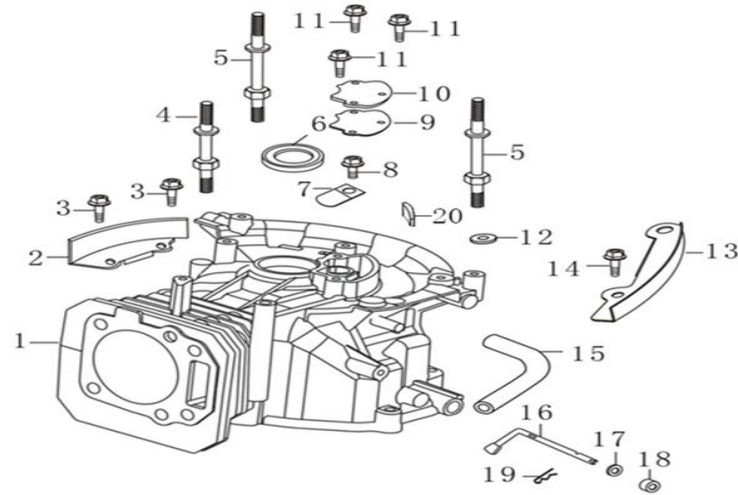


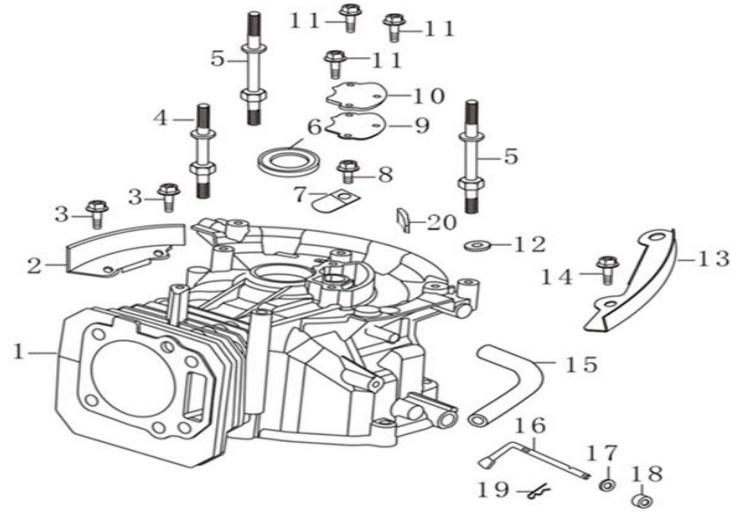
CYLINDER HEAD

No.	Part No.	Description	Reqd. QTY
1	380020128-0001	Hexagon shaft shoulder bolt	5
2	120230098-0001	Cylinder head cover	1
3	120250037-0001	Gasket for cylinder head cover	1
4	270960029-0001	Spark plug	1
5	380140339-0001	Hexagon bolt with flange	4
6	120080553-0001	Cylinder head	1
7	380180101-0001	Stud	2
8	380180144-0001	Stud	2
9	120150197-0001	Gasket for cylinder head	1
10	380600117-0001	Location pin	2



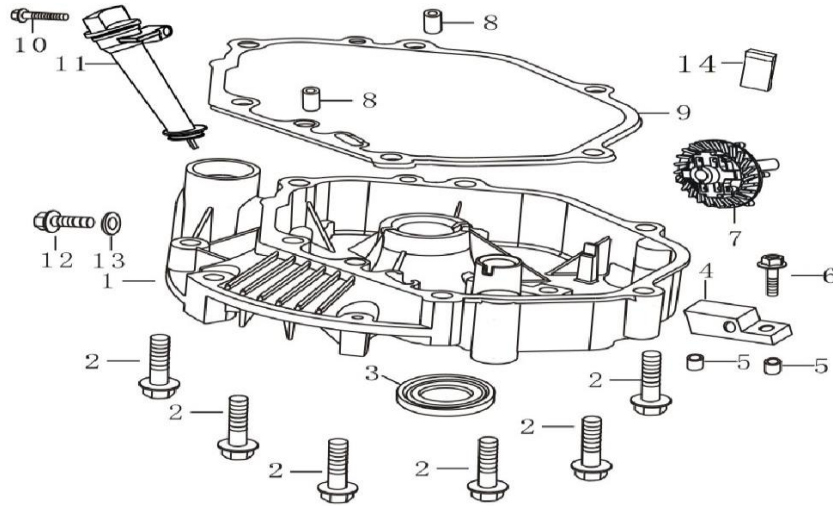
CRANK CASE

No.	Part No.	Description	Reqd. QTY
1	110810194-0001	Crankcase body	1
2	160200048-0001	Side plate	1
3	380140013-0005	Hexagon bolt with flange	2
4	380850002-0001	Stay stud	1
5	380850006-0001	Stay stud	2
6	380650335-0001	Oil seal	1
7	140250026-0001	Leaf valve	1
8	380140037-0003	Hexagon bolt with flange	1
9	110850011-0001	PACKING, BREATHER CHAMBER	1
10	110840011-0001	CAP,BREATHER CHAMBER	1
11	380140441-0001	Hexagon bolt with flange	3
12	380821590-0001	Bushing	1
13	160200037-0001	Side plate	1
14	380140067-0003	Hexagon bolt with flange	1



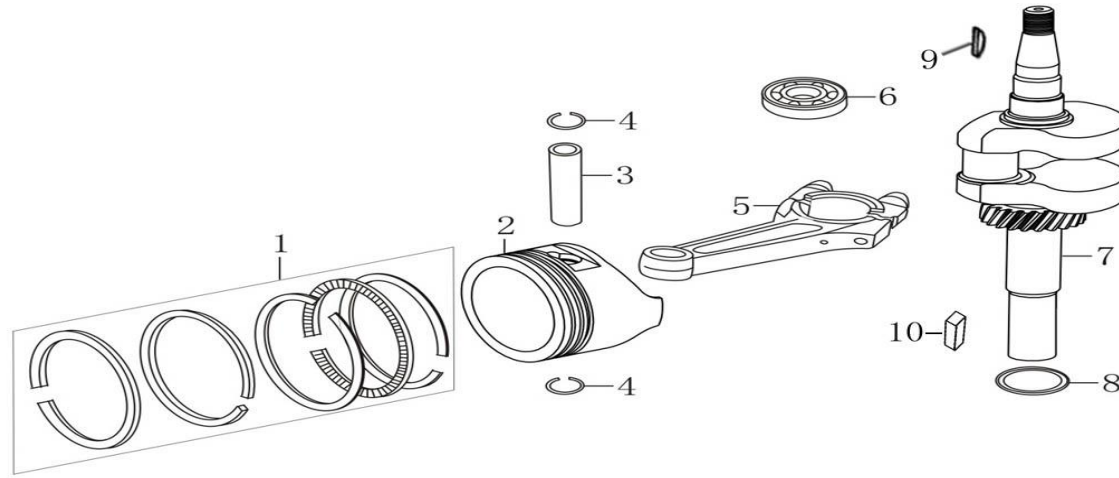
CRANK CASE

No.	Part No.	Description	Reqd. QTY
15	380740466-0002	Breather tube	1
16	171630010-0002	Speed regulating arm	1
17	380450527-0001	Flat washer	1
18	380650338-0001	Oil seal	1
19	381350004-0001	Pin clip	1
20	150290026-0001	Engine oil Strainer	1



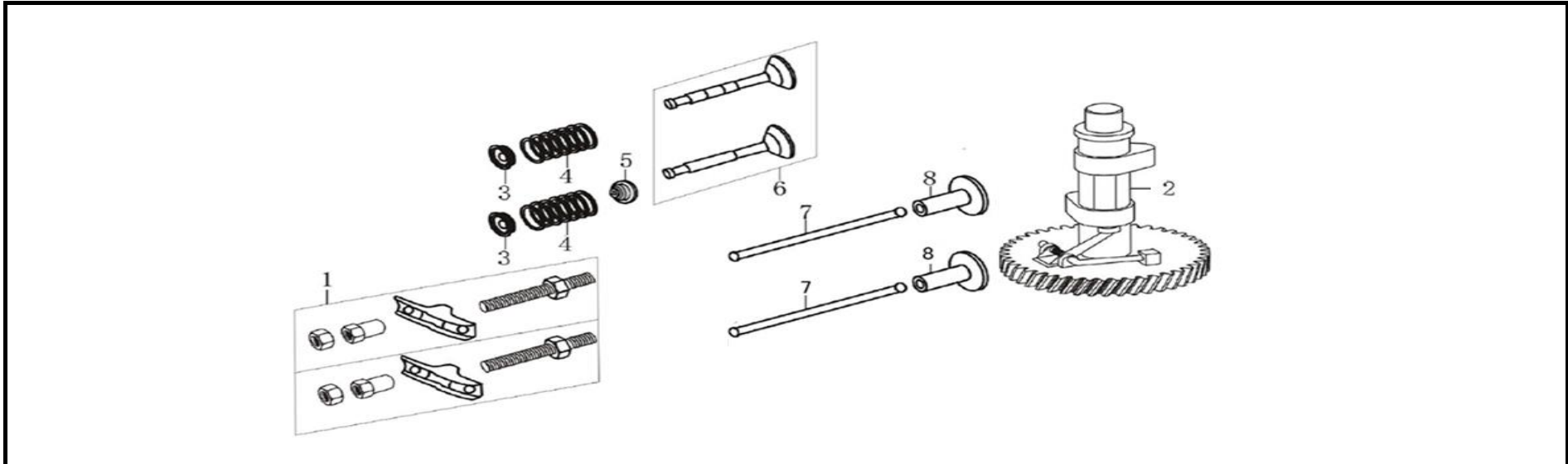
CRANK CASE COVER

No.	Part No.	Description	Reqd. QTY
1	110820026-0001	Crankcase cover	1
2	380140148-0005	Hexagon bolt with flange	6
3	380650347-0001	Oil seal	1
4	171640003-0001	Governor gear pressing plate	1
5	380600121-0001	ocation pin	2
6	380140077-0005	Hexagon bolt with flange	1
7	174280002-0001	Components of governor gear	1
8	380600120-0001	ocation pin	2
9	110830057-0001	Crankcase cover gasket	1
10	380140100-0003	Hexagon bolt with flange	1
11	110690016-0002	Oil rule combination	1
12	110260025-0001	Sealing plug screw	1
13	380450514-0001	Flat washer	1
14	150570002-0001	Engine oil return block	1



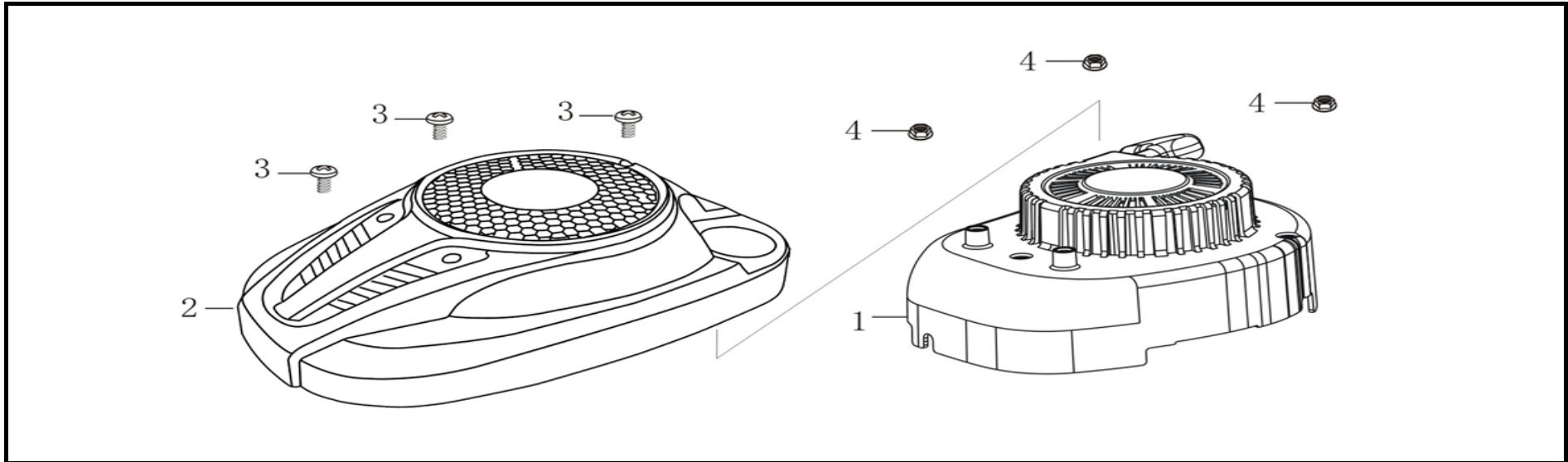
CRANKSHAFT/PISTON

No.	Part No.	Description	Reqd. QTY
1	130070188-0001	Piston ring combination	1
2	130030208-0001	Piston	1
3	130060031-0001	Piston pin	1
4	380560056-0001	Steel cable baffle ring	2
5	130150052-0001	Connecting rod	1
6	380630137-0002	Bearing	1
7	130290325-0002	crankshaft	1
8	380450518-0001	Flat washer	1
9	380620050-0001	Key	1
10	380620030-0001	Key	1



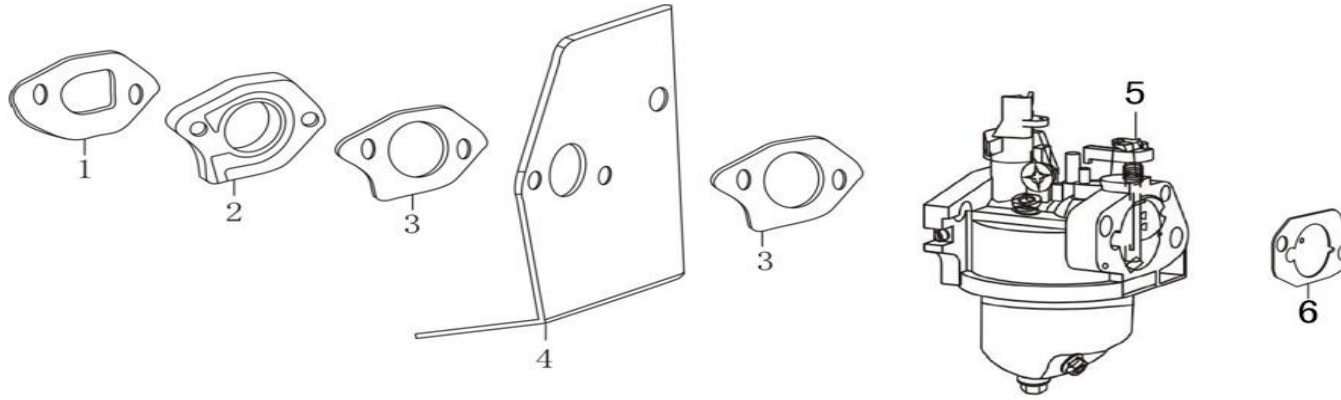
CAMSHAFT

No.	Part No.	Description	Reqd. QTY
1	140450086-0001	Valve rocker combination	1
2	140020103-0001	Camshaft assy	1
3	140380020-0001	Retainer, valve spring	2
4	140340022-0001	Inner spring of valve	2
5	140400016-0001	Valve oil seal	1
6	500550067-0001	Valve Kit	1
7	140670028-0001	Push rod	2
8	140690002-0001	Lifter, Valve	2



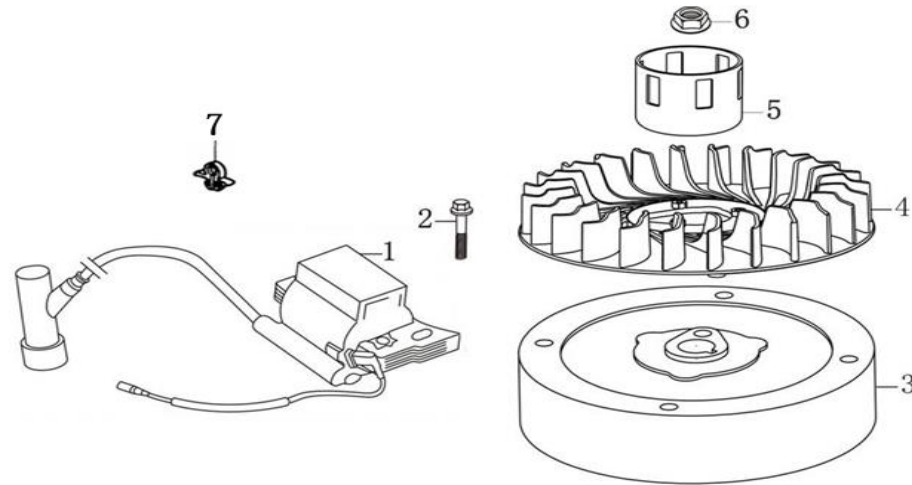
STARTER

No.	Part No.	Description	Reqd. QTY
1	193490095-0001	Manual starting assembly	1
2	193690015-0006	Starter decoration cover	1
3	380200046-0002	Cross recessed pan head screw	3
4	380370066-0001	Hexagon nut with flange	3



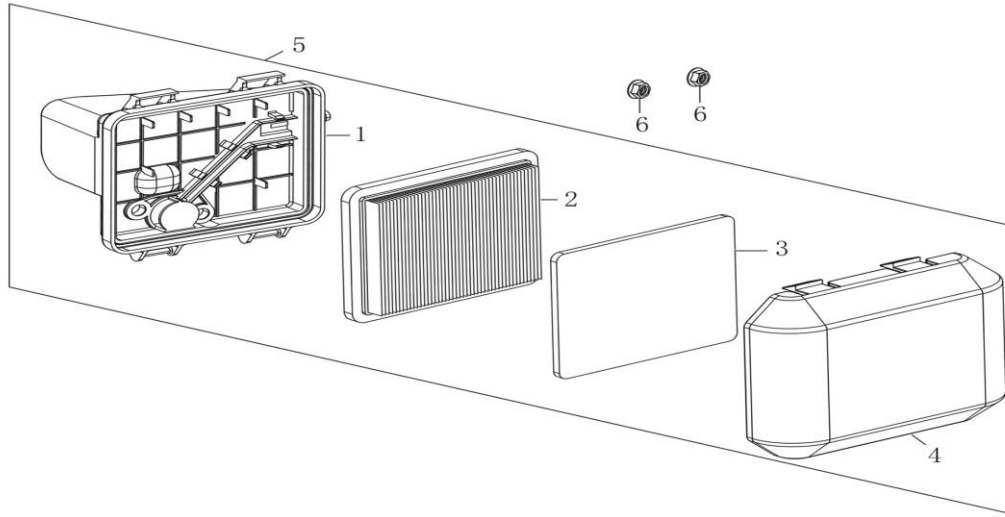
化油器 (CARBURETOR)

No.	Part No.	Description	Reqd. QTY
1	170430155-0001	Carburetor gasket	1
2	170440079-0001	Heat insulating pad for carburetor	1
3	170430147-0001	Carburetor gasket	2
4	170450001-0001	Heat insulating plate for carburetor	1
5	170021336-0001	Carburetor	1
6	170430133-0001	Carburetor gasket	1



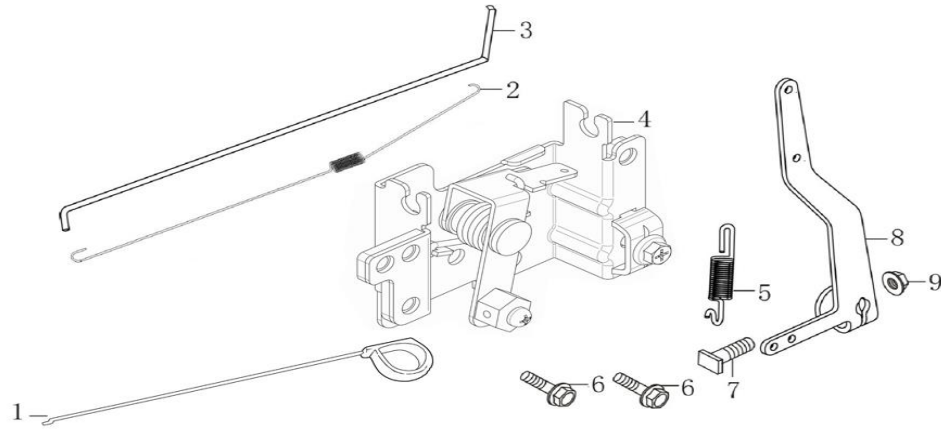
FLYWHEEL/Ignition Comp

No.	Part No.	Description	Reqd. QTY
1	270920286-0001	COIL ASSY.,IGNNTION	1
2	380140103-0004	Hexagon bolt with flange	3
3	270020126-0001	FLYWHEEL COMP	1
4	160180015-0001	Impeller	1
5	193590005-0001	Starting disc	1
6	380370051-0001	Hexagon nut with flange	1
7	380930027-0001	Location wire nail	1



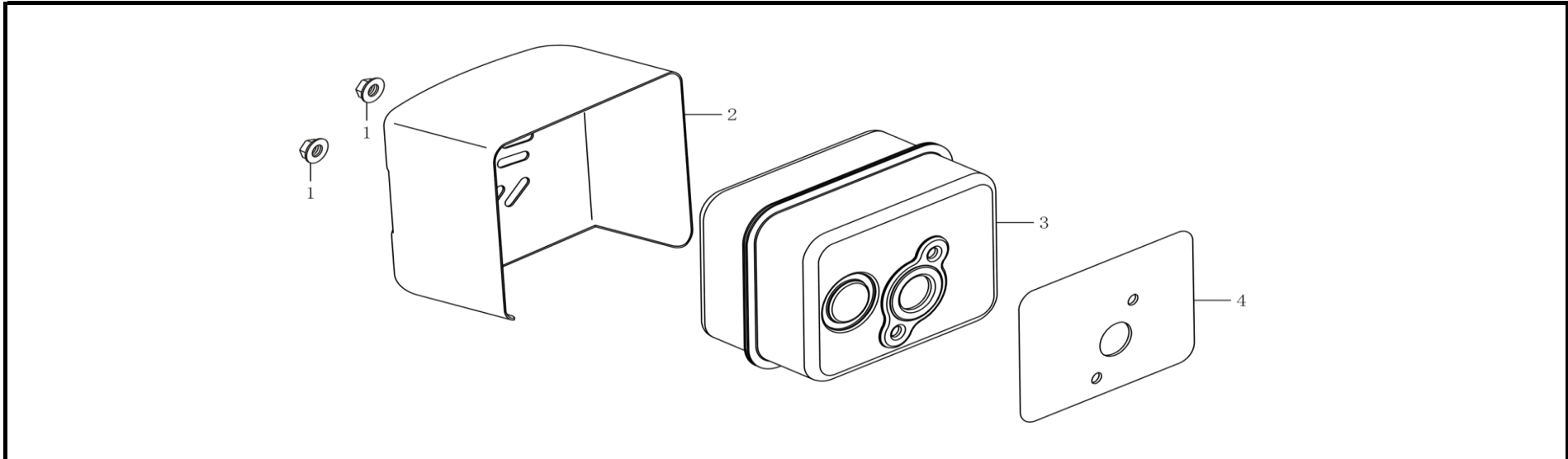
AIR CLEANER

No.	Part No.	Description	Reqd. QTY
1	180280052-0001	Air filter seat	1
2	180130178-0001	Air filter element	1
3	180130157-0001	Air filter element	1
4	180070175-0001	Air filter casing cover	1
5	180020597-0002	Air filter	1
6	380370066-0001	Hexagon nut with flange	2



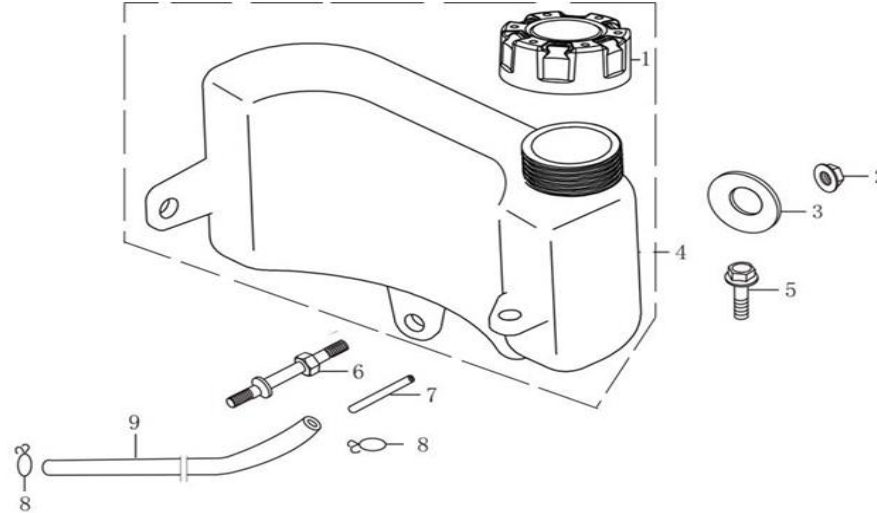
CONTROL SYSTEM

No.	Part No.	Description	Reqd. QTY
1	171650042-0001	Choke valve pull rod	1
2	171610015-0001	throttle return spring	1
3	171590015-0001	Throttle rod	1
4	171680145-0001	Throttle handle combination	1
5	171600068-0001	Governing spring	1
6	380140067-0003	Hexagon bolt with flange	2
7	380250002-0001	Square head set screw with flat point	1
8	171620016-0003	Speed regulating bracket	1
9	380370066-0001	Hexagon nut with flange	1



MUFFLER

No.	Part No.	Description	Reqd. QTY
1	380370048-0001	Hexagon nut with flange	2
2	180960026-0001	Muffler guard shield	1
3	180571313-0001	Muffler	1
4	180660065-0001	Muffler gasket	1



FUEL TANK

No.	Part No.	Description	Reqd. QTY
1	170870094-0001	Tank cover	1
2	380370048-0001	Hexagon nut with flange	1
3	380450444-0002	Flat washer	1
4	170490149-0001	Tank	1
5	380140013-0005	Hexagon bolt with flange	1
6	380850003-0001	Stay stud	1
7	170010017-0001	Fuel filter	1
8	380950190-0001	Pipe clip	2
9	380751454-0001	Oil tube	1