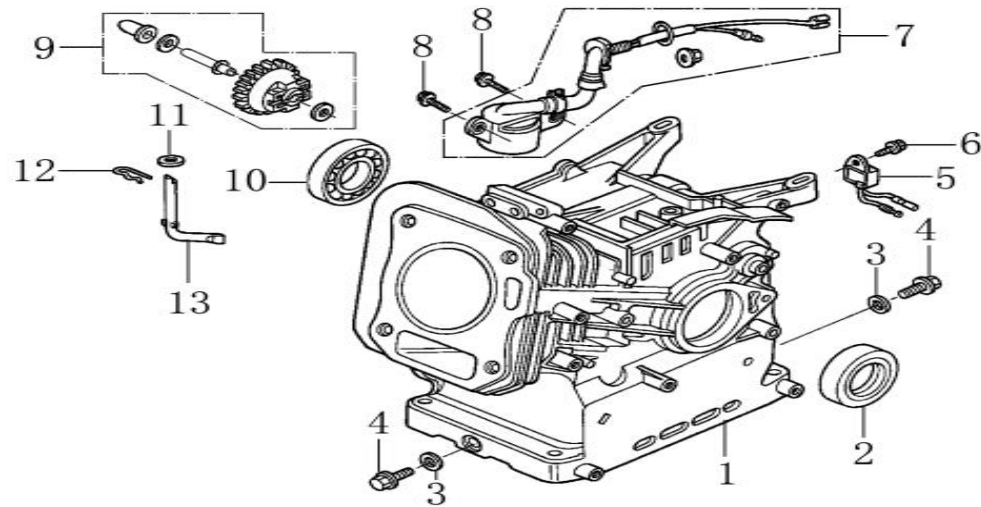


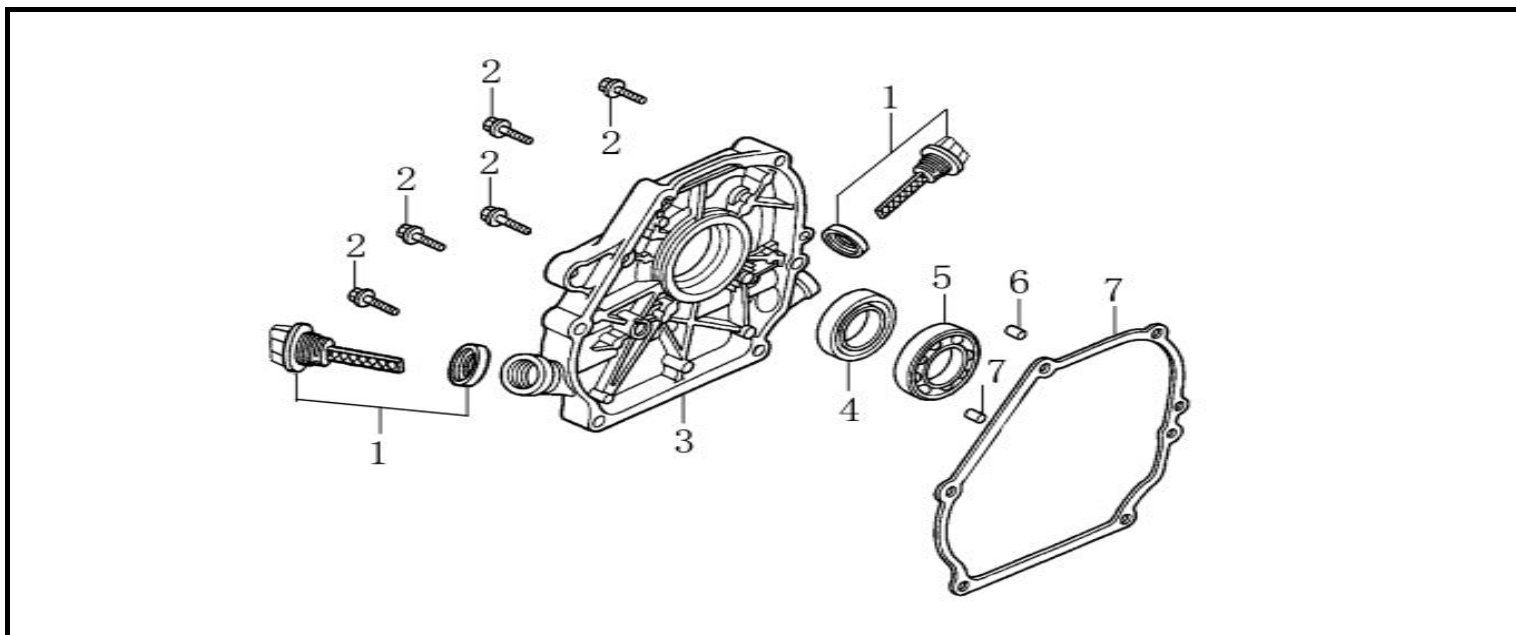
CYLINDER HEAD

No.	Part No.	Description	Qty
1	120080532-0001	Cylinder end	1
2	380180093-0001	Stud	2
3	380600117-0001	ocation pin	2
4	120150193-0001	Gasket for cylinder head	1
5	380180098-0001	Stud	2
6	270960014-0001	Spark plug	1
7	380140336-0001	Hexagon bolt with flange	4
8	120250043-0001	Gasket for cylinder head cover	1
9	120230109-0001	Cylinder head cover assy	1
10	380140215-0003	Hexagon bolt with flange	4
11	380741044-0002	Breather tube	1
12	110850018-0001	PACKING, BREATHER CHAMBER	1
13	110840024-0001	CAP,BREATHER CHAMBER	1
14	380140429-0001	Hexagon bolt with flange	2
15	150290027-0001	Engine oil Strainer	1



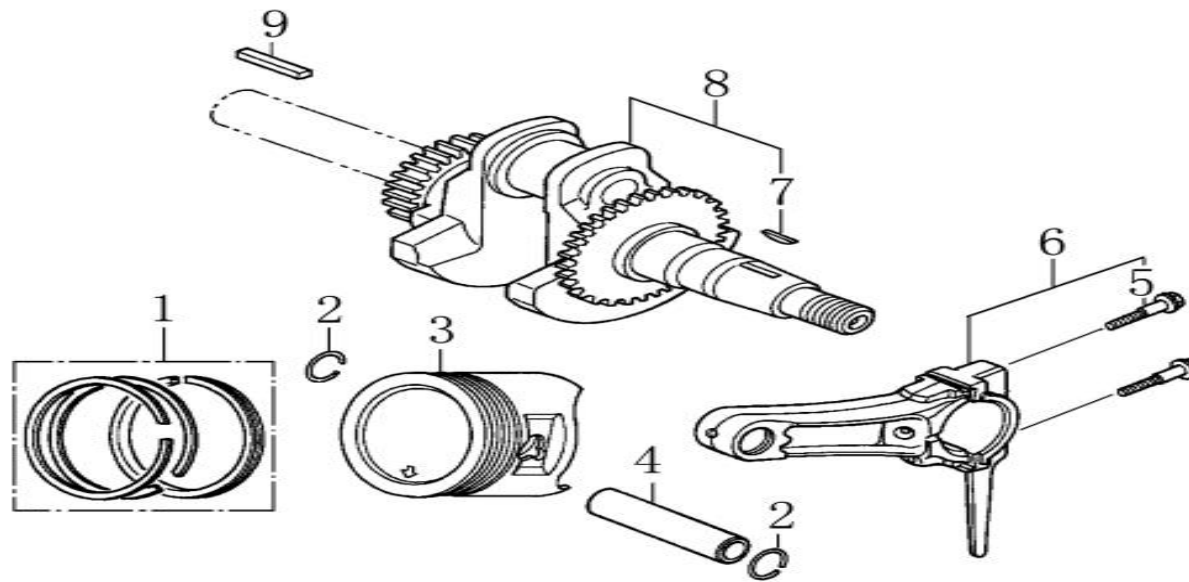
CRANK CASE

No.	Part No.	Description	Qty
1	110810040-0001	Crankcase body	1
2	380650347-0001	Oil seal	1
3	380450514-0001	Flat washer	2
4	110260025-0001	Sealing plug screw	2
5	281890001-0001	Engine oil protector	1
6	380140011-0004	Hexagon bolt with flange	1
7	281850150-0001	Oil level sensor	1
8	380140215-0003	Hexagon bolt with flange	2
9	171750002-0001	Governor gear	1
10	380630383-0001	Bearing	1
11	380450531-0001	Flat washer	1
12	381350004-0001	Split pin	1
13	171630001-0001	Speed regulating arm	1



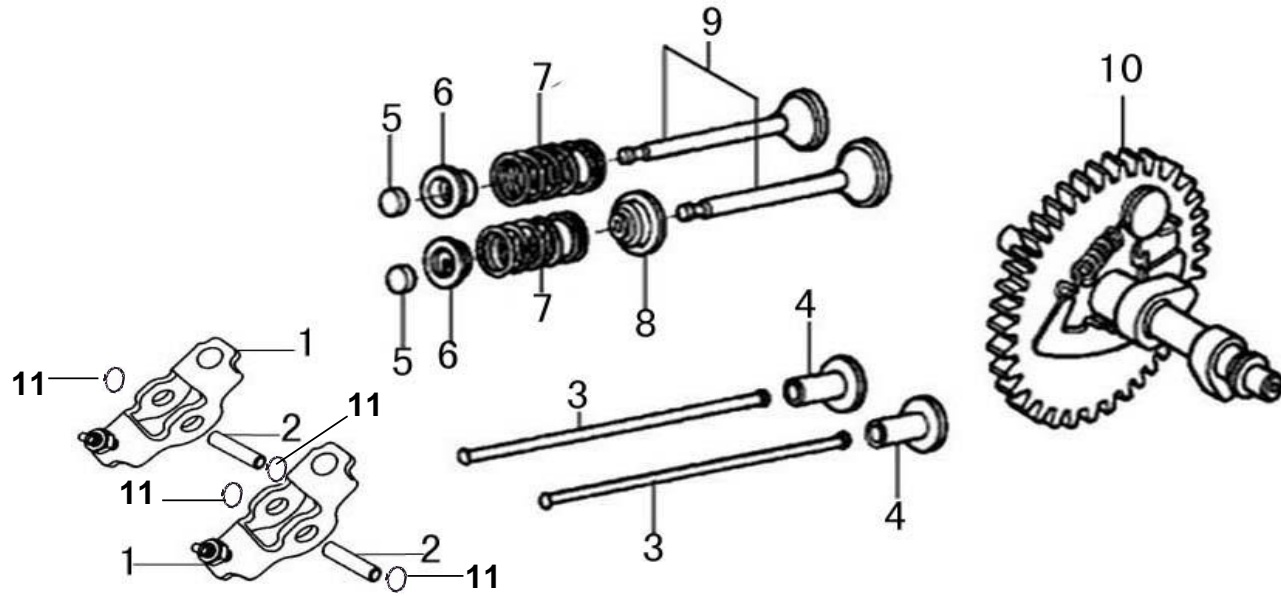
CRANK CASE COVER

No.	Part No.	Description	Qty
1	110690096-0004	Oil rule combination	2
2	380140028-0004	Hexagon bolt with flange	6
3	110820014-0001	Crankcase cover	1
4	380650347-0001	Oil seal	1
5	380630383-0001	Bearing	1
6	380600120-0001	ocation pin	2
7	110830048-0001	Crankcase cover gasket	1



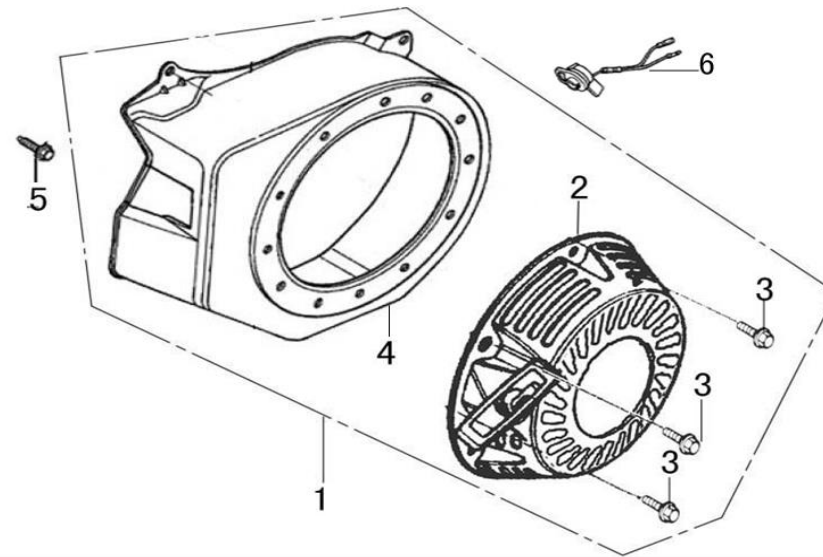
CRANKSHAFT/PISTON

No.	Part No.	Description	Qty
1	130070187-0001	Piston ring combination	1
2	380560056-0001	Steel cable baffle ring	2
3	130030208-0001	Piston	1
4	130060031-0001	Piston pin	1
5	130180001-0001	Connecting rod bolt	2
6	130150054-0001	Connecting rod	1
7	380620050-0001	Key	1
8	130290250-0002	crankshaft	1
9	380620032-0001	Key	1



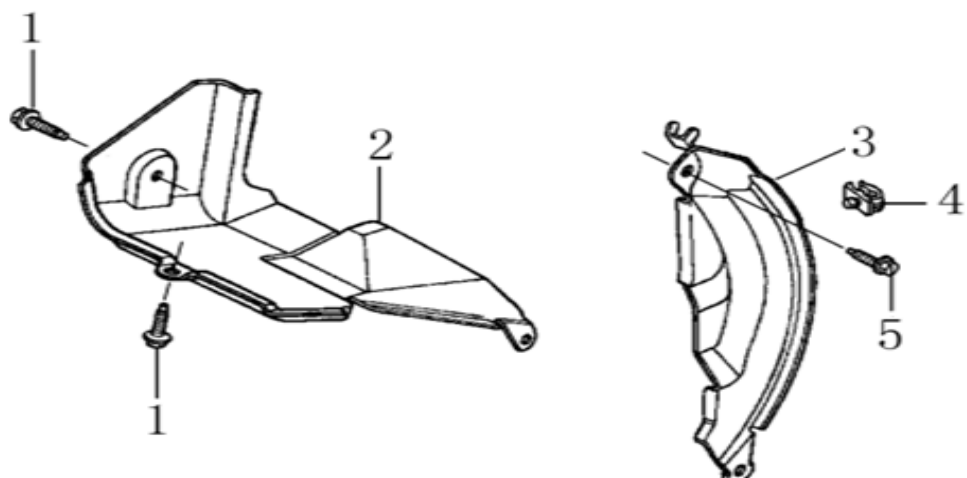
GAS DISTRIBUTION ADJUSTMENT

No.	Part No.	Description	Qty
1	140450056-0001	Valve rocker combination	2
2	141730001-0001	Valve rocker shaft	2
3	140670041-0001	Push rod	2
4	140690003-0001	Lifter, Valve	2
5	140320001-0001	Valve adjustment cap	2
6	140380068-0001	Retainer, valve spring	2
7	140340022-0001	Inner spring of valve	2
8	140400016-0001	Valve oil seal	1
9	500550130-0001	Valve Kit	1
10	140020114-0001	Camshaft assy	1
11	380570024-0003	Split damping ring	4



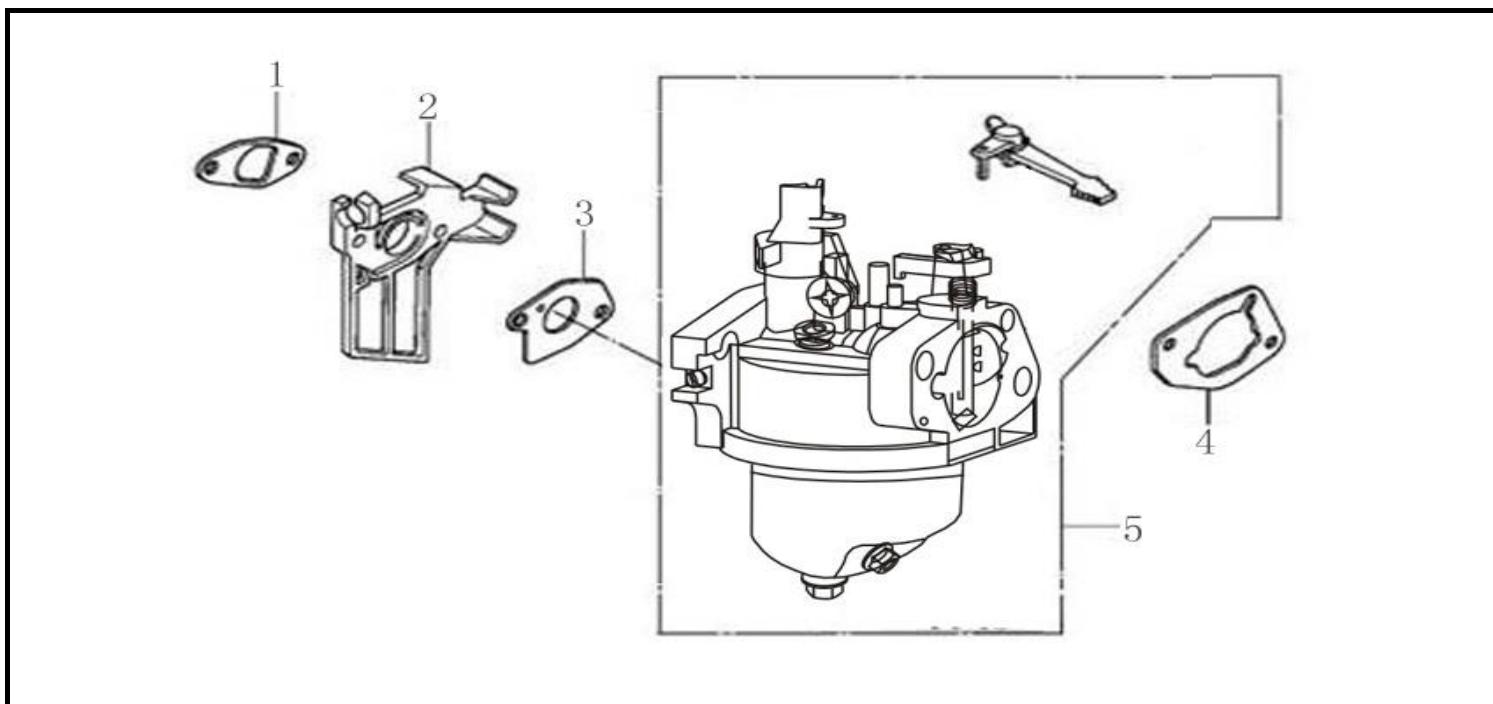
STARTER SUBASSEMBLY

No.	Part No.	Description	Qty
1	193490287-0007	Manual starting assembly	1
2	193500034-0001	Manual starting components	1
3	380140531-0001	Hexagon bolt with flange	3
4	160210081-0001	Fan cover comp.	1
5	380140011-0004	Hexagon bolt with flange	4
6	271660028-0001	Stop switch	1



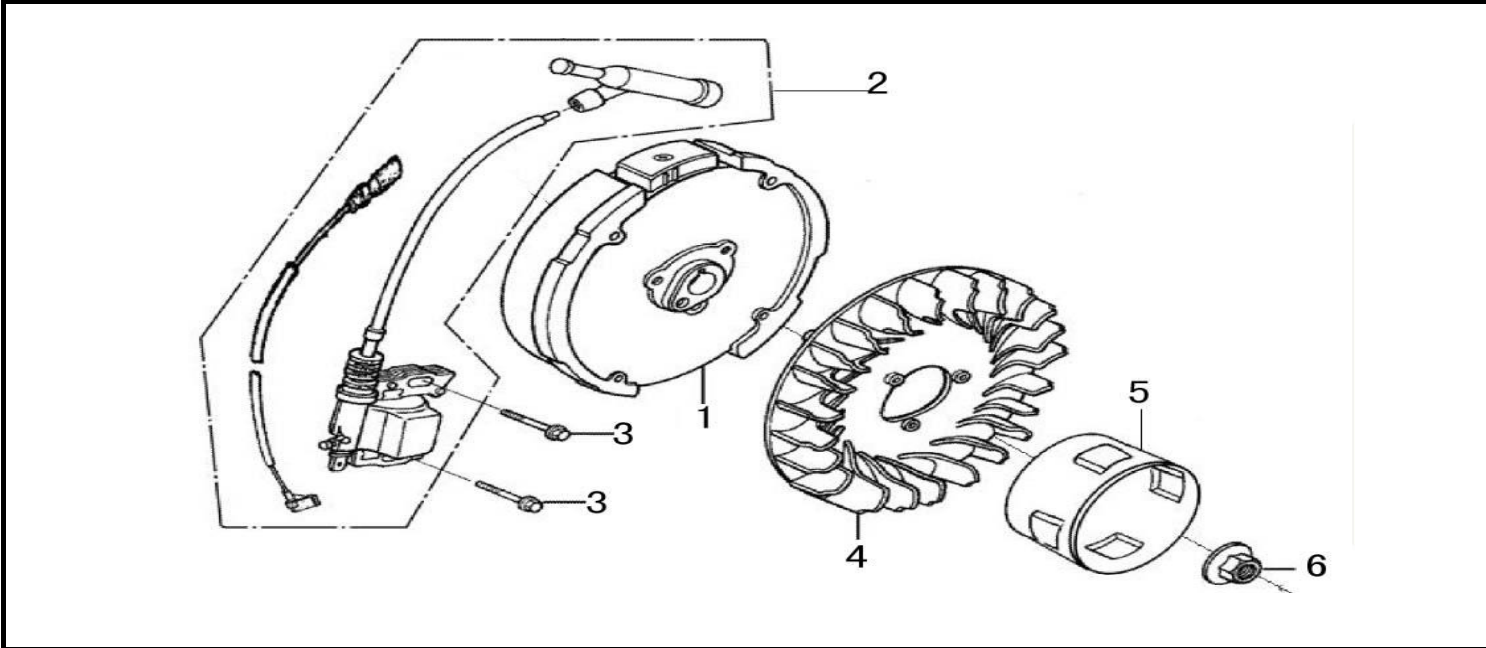
DIVERSION ASSY

No.	Part No.	Description	Qty
1	380140089-0003	Hexagon bolt with flange	2
2	160190103-0001	air deflector	1
3	160200011-0001	Side plate	1
4	140280001-0001	Leaf valve limit plate	1
5	380140003-0005	Hexagon bolt with flange	1



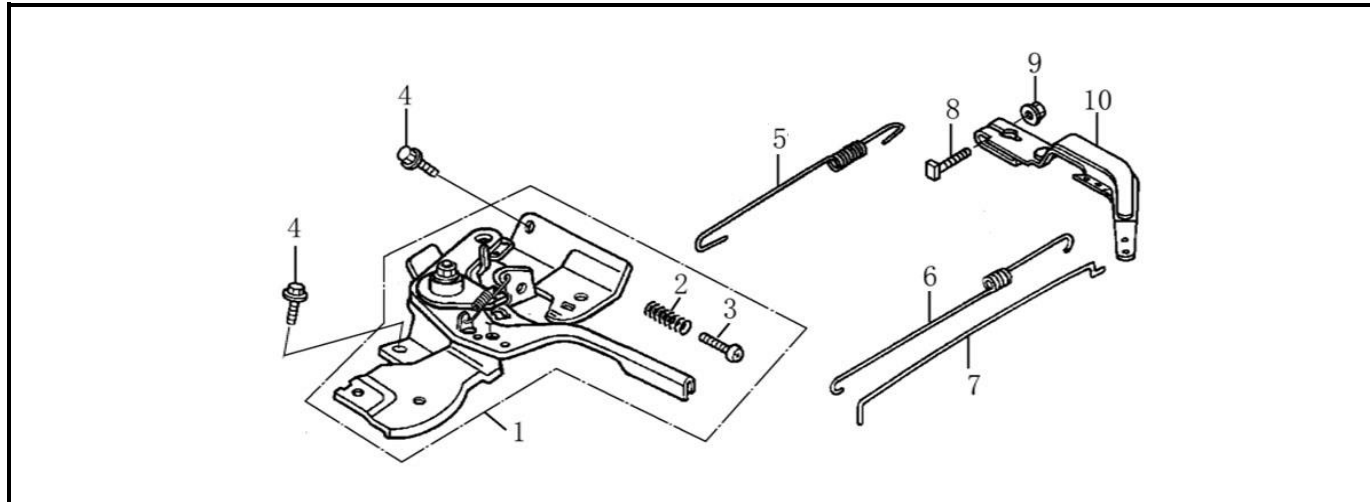
CARBURETOR

No.	Part No.	Description	Qty
1	170430139-0001	Carburetor gasket	1
2	170440121-0001	Heat insulating pad for carburetor	1
3	170430138-0001	Carburetor gasket	1
4	170430065-0001	Carburetor gasket	1
5	170021261-0008	Carburetor	1



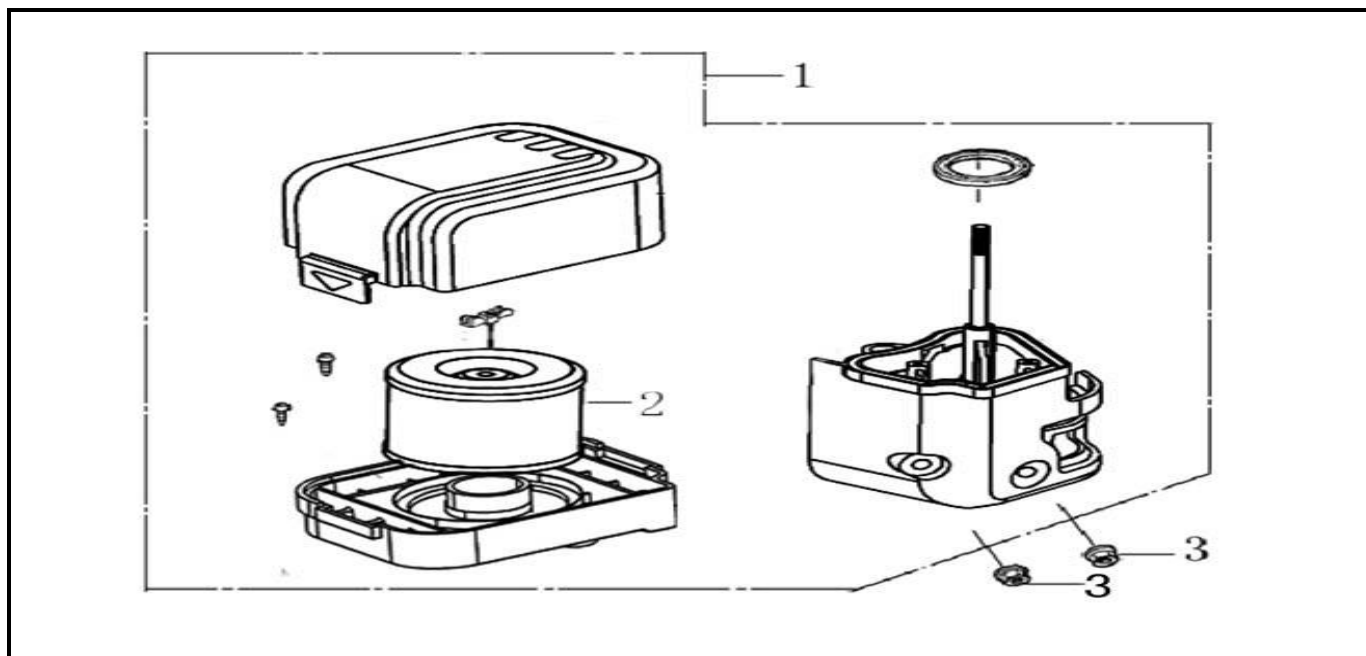
FLYWHEEL/COIL ASSY

No.	Part No.	Description	Qty
1	270020139-0001	FLYWHEEL COMP	1
2	270920476-0001	COIL ASSY.,IGNNTION	1
3	380140102-0004	Hexagon bolt with flange	2
4	160180023-0001	Impeller	1
5	193590024-0001	Starting disc	1
6	380370051-0001	Hexagon nut with flange	1



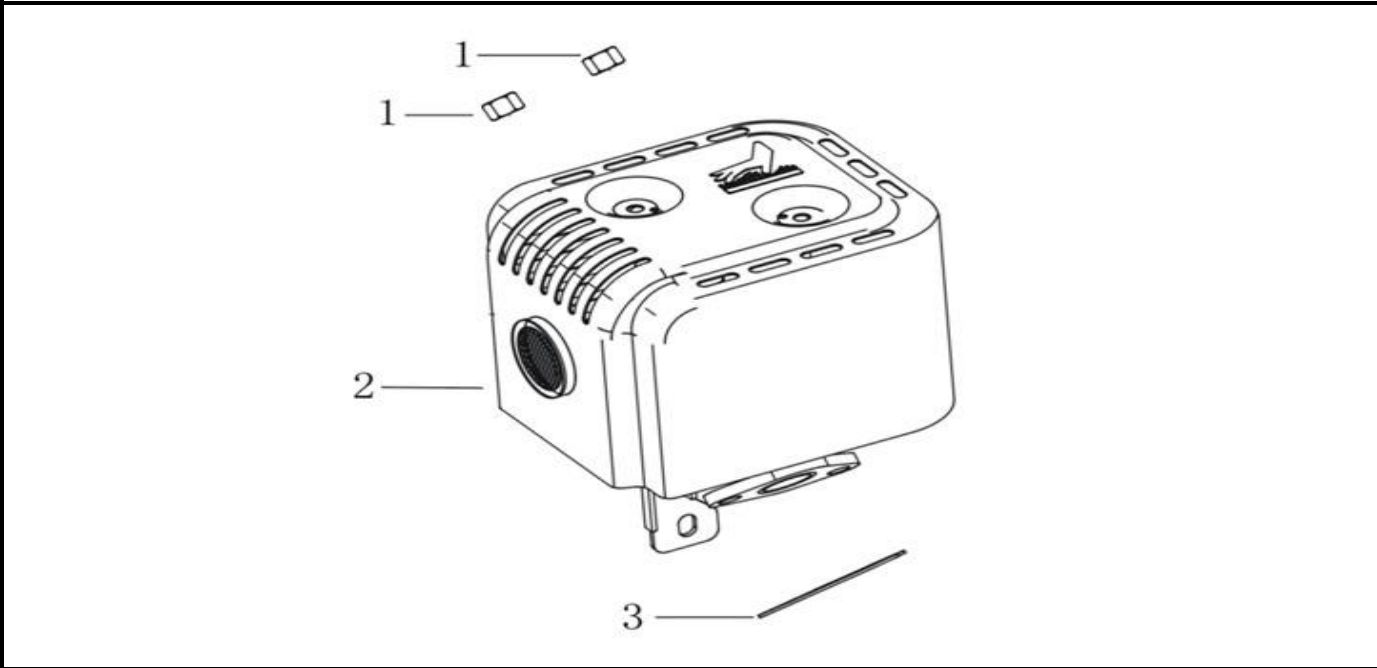
CONTROL SYSTEM

No.	Part No.	Description	Qty
1	171680152-0001	Throttle handle combination	1
2	171660001-0001	speed regulating Limit spring	1
3	380200017-0005	Cross recessed pan head screw	1
4	380140011-0004	Hexagon bolt with flange	2
5	171600037-0002	Governing spring	1
6	171610002-0001	throttle return spring	1
7	171590002-0001	Throttle rod	1
8	380250002-0001	Square head set screw with flat point	1
9	380370066-0001	Hexagon nut with flange	1
10	171620001-0003	Speed regulating bracket	1



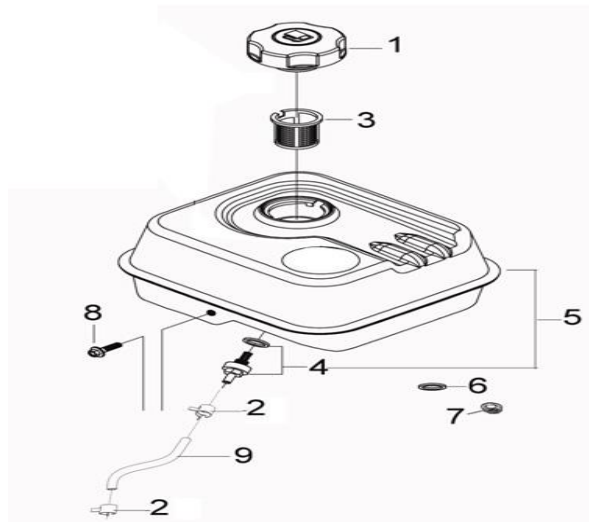
AIR CLEANER

No.	Part No.	Description	Qty
1	180020606-0001	Air filter	1
2	180100073-0001	Air filter element combination	1
3	380370048-0001	Hexagon nut with flange	2



MUFFLER

No.	Part No.	Description	Qty
1	380340005-0005	Hexagon nut	2
2	180570827-0001	Muffler	1
3	180650065-0001	Outlet gasket	1



FUEL TANK

No.	Part No.	Description	Qty
1	170870162-0001	Tank cover	1
2	380960170-0002	Clip combination	2
3	170720009-0001	Pouring orifice filter screen combination	1
4	170660077-0001	Tank oilout	1
5	170500997-0013	Tank	1
6	380920086-0001	rubber flat gasket	2
7	380370048-0001	Hexagon nut with flange	2
8	380140171-0004	Hexagon bolt with flange	1
9	380750597-0001	Oil tube	1